

SSV-Series Single Seat Valve



Used in sanitary processes for the isolation or diversion of fluids. The valve is 3A certified to be cleaned-in-place and is constructed from FDA approved materials.

These valves can be found in the food processing, beverage, dairy, personal care, winery, brewery, and pet product markets.

Sizes

- 1", 1-1/2", 2", 2-1/2", 3", and 4"

Features

- Available with a pneumatic actuator or manual handle
- Burkert™ control top model numbers 8691 and 8692 are available

NOTE: See part number key for configurations available

Materials

- Product contact metal components: AISI 316L
- Non-product contact metal components: AISI 304
- Product contact seals: EPDM, FKM, or PTFE

Specifications

- Standard clamp connections
- Valve data
 - Maximum pressure: see holding pressure chart
 - Maximum operating temperature: **266°F (130°C)**
 - Maximum sterilization temperature (20 minutes maximum): **275°F (135°C)**
 - Maximum ambient temperature: **140°F (60°C)**
- Actuator data
 - Connections: 1/8" NPT with 1/4" tube push-in connection
 - Control air pressure
 - Spring return maximum pressure: **80 PSI (5.5 bar)**
 - Double acting maximum pressure: **45 PSI (3.1 bar)**
 - Maximum temperature: **176°F (80°C)**
 - Solids content
 - Maximum particle size: 5 µm
 - Maximum particle density: 5 mg/m³
 - Oil content
 - Maximum oil: 25 mg/m³ (oil free quality class 3)
- Surface finish
 - Product contact metal components: Ra ≤ 32
 - Non-product contact metal components: Ra ≤ 63 polished
- Device sound emission level: ≤ 70 dB(A)



SSV-Series Single Seat Valve - Part Number Key

SSV-Series Single Seat Valve Part Number Key Example: S01A10C1EEA		Series	Valve Body				Actuation Type	Stem Type	Wetted Elastomers	Options
		S	01	A	10	C	1	E	E	A
Series	Code	NOTE: Part Key continues on next page								
Shut off	S									
Divert	D									
Valve Body Style (See Diagram A)	Code									
L (2-port shut-off)	01									
T (3-port shut-off)	02									
Y (2-port shut-off)	03									
F (3-port shut-off)	04									
F-90 (3-port divert) top port rotated 90° CW	49									
L/L (3-port divert)	05									
L/L-90 (3-port divert) top port rotated 90° CW	59									
T/L (4-port divert)	06									
T/L-90 (4-port divert) top port rotated 90° CW	69									
L/T (4-port divert)	07									
L/T-90 (4-port divert) top port rotated 90° CW	79									
T/T (5-port divert) top port rotated 90° CW	08									
T/T-90 (5-port divert) top port rotated 90° CW	89									
Surface Finish	Code									
32 Ra (I.D. mech. polish)	A									
25 Ra (I.D. mech. polish)	B									
20 Ra (I.D. mech. polish)	C									
15 Ra (I.D. mech. polish)	D									
Valve Size	Code									
1"	10									
1-1/2"	15									
2"	20									
2-1/2"	25									
3"	30									
4"	40									
Connections	Code									
Clamp	C									
Weld	B									
Female I-line	F									
Male I-line	M									
Threaded bevel	T									
Plain bevel	P									
Q-Line	Q									
Combination (see table 1)	-									

A-Port	B-Port	C-Port	D-Port	E-Port	Port Diagram
C	C	C	C	C	
B	B	B	B	B	
F	F	F	F	F	
M	M	M	M	M	
T	T	T	T	T	
P	P	P	P	P	
Q	Q	Q	Q	Q	
N (no port)	-	N (no port)	N (no port)	N (no port)	

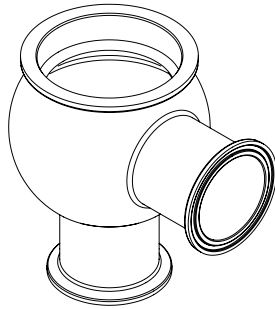
SSV-Series Single Seat Valve - Part Number Key

SSV-Series Single Seat Valve Part Number Key Example: S01A10C1EEA		Series	Valve Body				Actuation Type	Stem Type	Wetted Elastomers	Options
		S	01	A	10	C	1	E	E	A
Actuation Type	Code									
Pneumatic spring return (air-to-raise)	1									
Pneumatic spring return (air-to-lower)	2									
Pneumatic double acting (air-to-air)	3									
Manual handle	4									
Stem Type	Code									
Elastomer O-ring stem seal	E									
PTFE plug seal	P									
Wetted Elastomers	Code									
EPDM	E									
FKM	V									
Options	Code									
10-30 VDC external prox, PNP, (qty 2)	A									
10-30 VDC external prox, NPN, (qty 2)	B									
20-253 VAC external prox, (qty 2)	C									
110 VAC external prox, (qty 2)	D									
Burkert 8691, single acting, DeviceNet, multipin	E									
Burkert 8691, single acting, AS-i, multipin	F									
Burkert 8691, single acting, 24VDC, multipin	G									
Burkert 8691, double acting, DeviceNet, multipin	H									
Burkert 8691, double acting, AS-i, multipin	J									
Burkert 8691, double acting, 24VDC, multipin	K									
Burkert 8691, without solenoid, 24VDC, multipin	L									
Burkert 8692 positioner, 24VDC, 4-20mA, multipin	P									
External prox bracket only	Q									

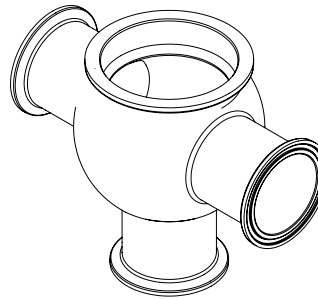
SSV-Series Single Seat Valve - Body Styles (Diagram A)

Part Number Example:
 D06B20NBCCC2PVG
 Part Description: Divert Valve,
 T/L Body, 25 Ra Polish, 2", [No
 Port on A, Butt weld on Port B,
 Clamp Port C, Clamp on Port
 D, Clamp on Port E] Spring
 Return Air-to-Lower Actuator,
 PTFE Stem Seal, FKM wetted
 Elastomers, Burkert 8691
 Single Acting 24VDC Multipin

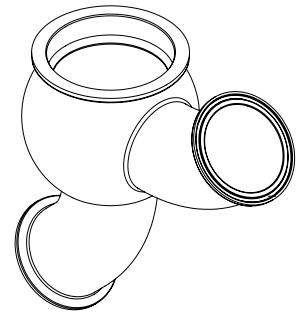
L-Body



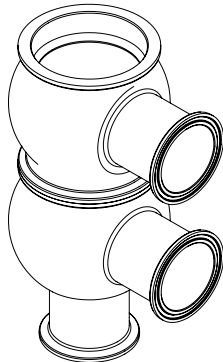
T-Body



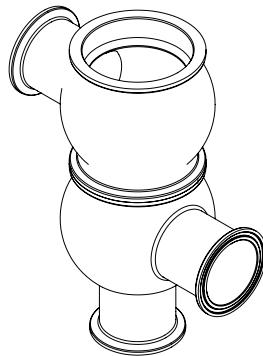
Y-Body



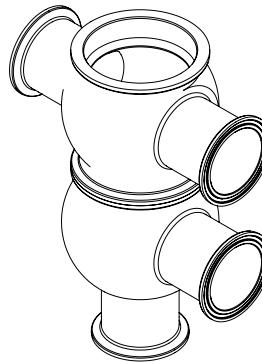
F-Body



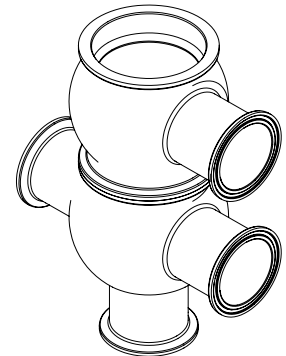
LL-Body



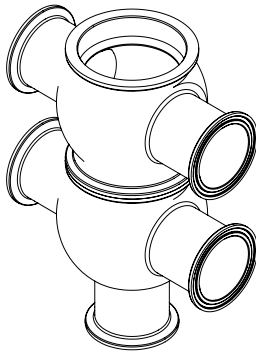
TL-Body



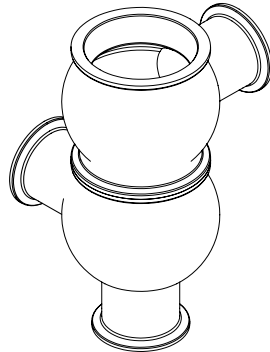
LT-Body



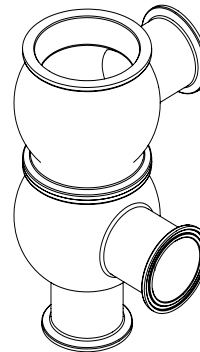
TT-Body



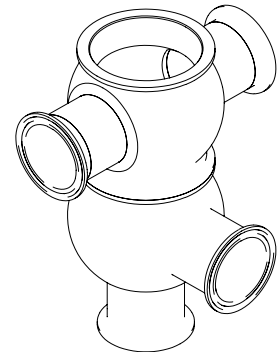
F-90 Body



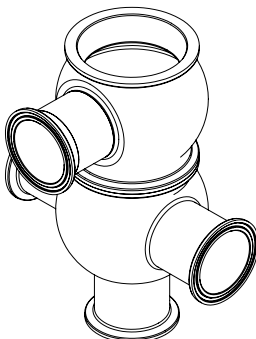
LL-90 Body



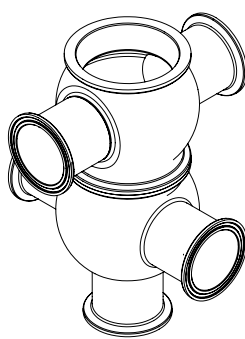
TL-90 Body



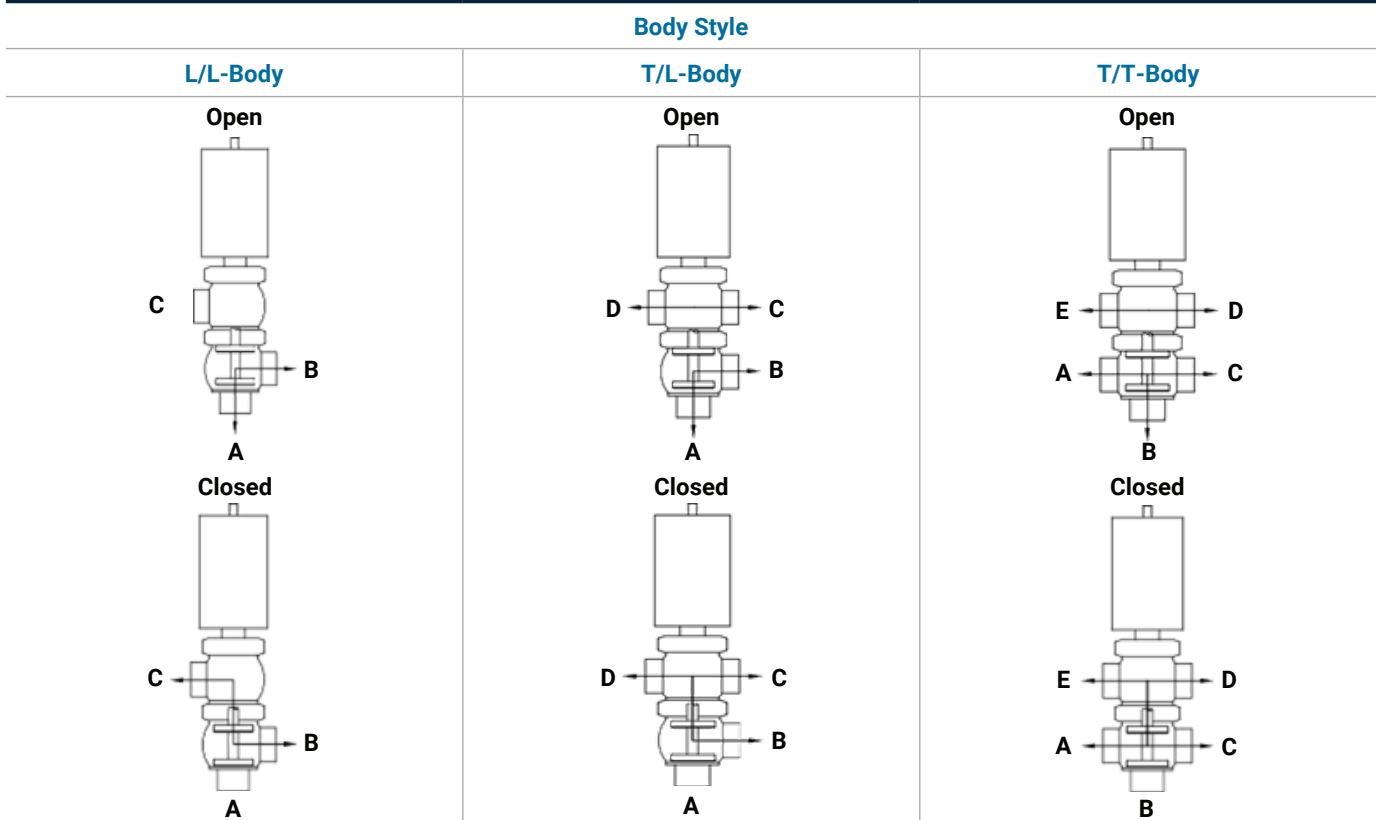
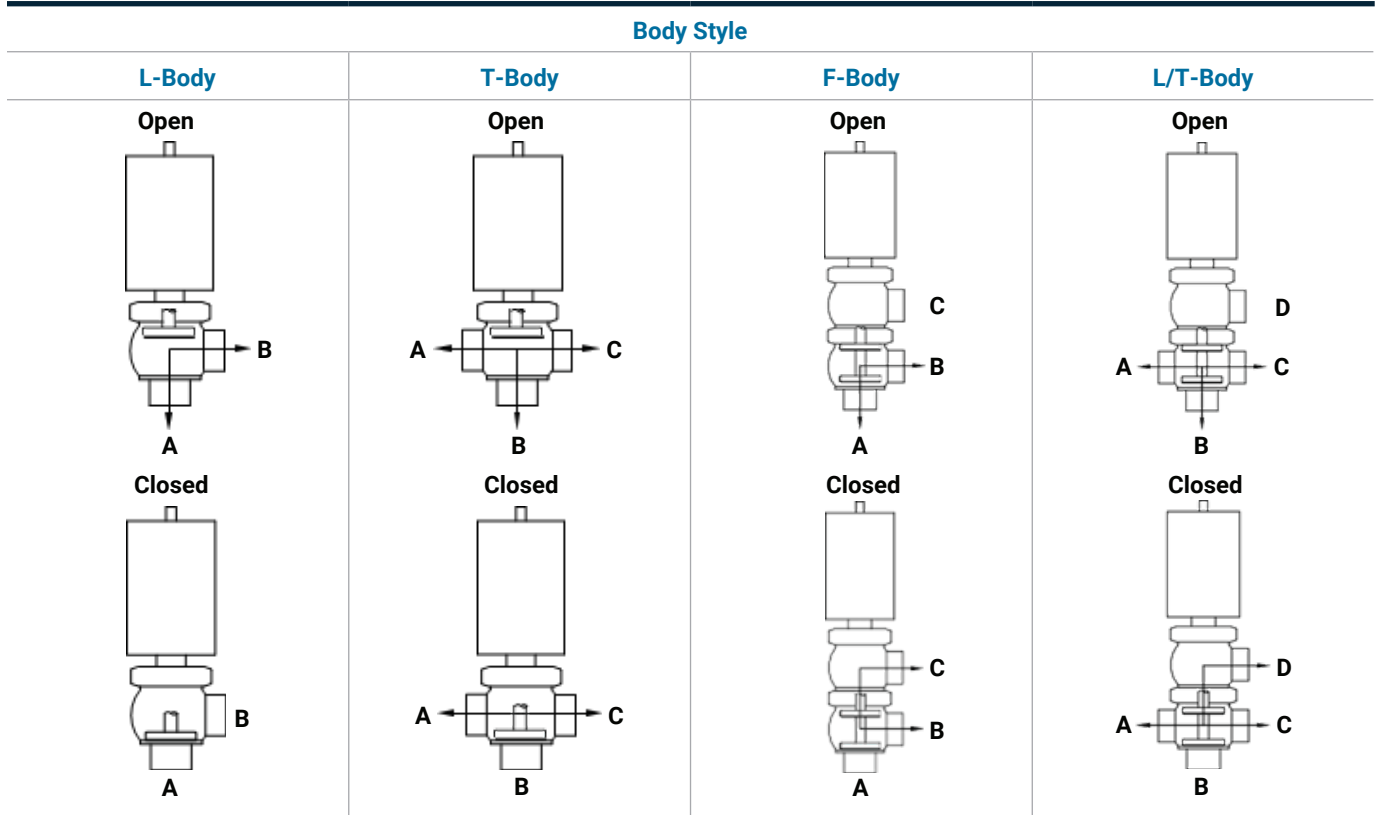
LT-90 Body



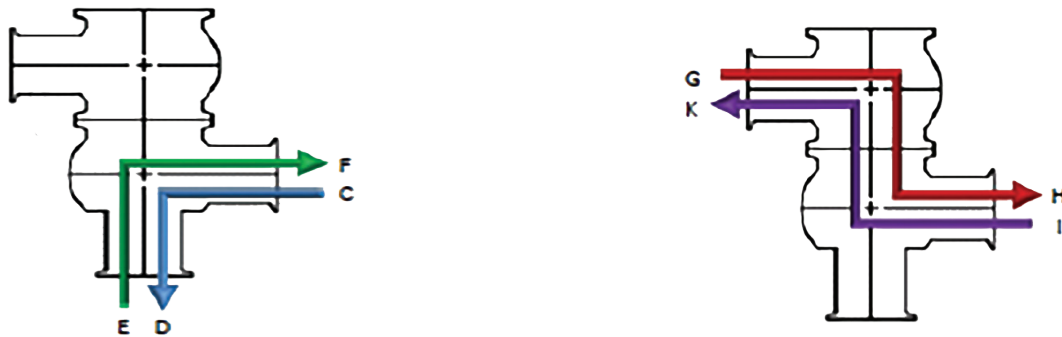
TT-90 Body



SSV-Series Single Seat Valve - Flow Paths



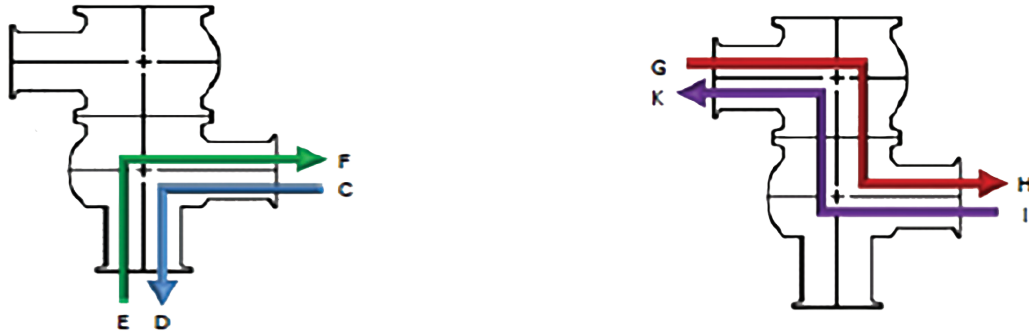
SSV-Series Single Seat Valve - Divert Pressure Drop Chart



Δp [PSI]	Valve Size							
	1"				1-1/2"			
	C-D	E-F	G-H	I-K	C-D	E-F	G-H	I-K
	Q[GPM]	Q[GPM]	Q[GPM]	Q[GPM]	Q[GPM]	Q[GPM]	Q[GPM]	Q[GPM]
3.6	26.40	25.52	27.10	26.84	65.34	63.27	67.19	66.44
7.3	37.40	36.08	38.28	38.02	92.40	89.50	95.04	94.16
14.5	52.67	51.04	54.16	53.77	130.68	126.54	134.77	133.32
21.8	64.68	62.48	66.44	65.82	160.16	155.01	164.56	163.24
29.0	74.49	72.16	76.56	76.03	184.80	179.08	190.08	188.54
36.3	83.29	80.70	85.67	84.92	206.62	200.20	212.52	210.76
43.5	91.21	88.44	93.85	93.10	226.34	219.16	232.76	231.00
50.8	98.56	95.48	101.20	100.58	244.51	236.72	251.24	249.48
58.0	105.34	102.08	107.49	107.36	261.36	253.09	268.40	266.64
65.3	111.76	108.24	114.84	113.96	277.20	268.40	285.12	282.92
72.5	117.74	114.14	121.18	120.12	292.16	282.92	300.52	298.32

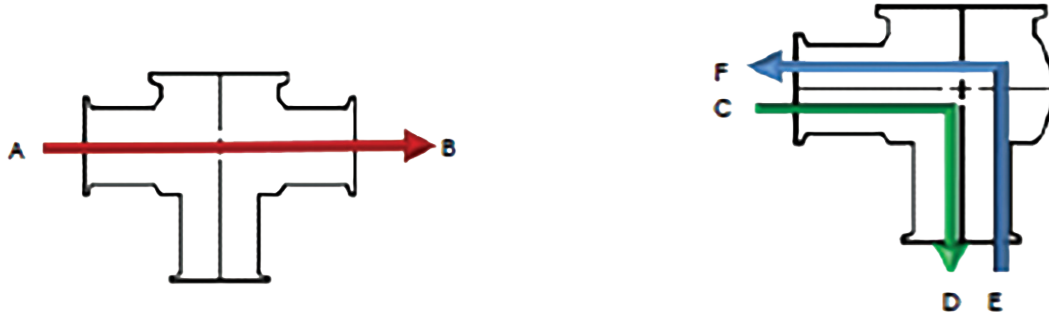
Δp [PSI]	Valve Size							
	2"				2-1/2"			
	C-D	E-F	G-H	I-K	C-D	E-F	G-H	I-K
	Q[GPM]	Q[GPM]	Q[GPM]	Q[GPM]	Q[GPM]	Q[GPM]	Q[GPM]	Q[GPM]
3.6	121.66	117.92	125.18	124.08	195.36	189.42	201.08	199.76
7.3	172.04	166.76	176.88	175.56	276.32	267.87	284.24	282.04
14.5	243.32	235.84	250.36	248.16	390.72	378.84	402.16	399.08
21.8	298.01	288.86	306.68	304.04	478.54	464.20	492.36	488.84
29.0	344.08	333.52	354.20	351.12	552.55	535.92	568.92	564.52
36.3	384.74	372.90	396.00	392.48	617.76	599.02	635.80	630.96
43.5	421.52	408.50	433.84	429.88	676.72	656.17	696.52	691.24
50.8	455.40	441.32	468.60	464.20	730.97	708.84	752.40	746.68
58.0	486.64	471.68	500.72	496.32	781.44	757.68	804.32	798.16
65.3	516.12	500.28	531.08	526.24	828.96	803.66	853.16	846.56
72.5	544.28	527.56	559.68	554.84	873.84	847.13	899.36	892.32

SSV-Series Single Seat Valve - Divert Pressure Drop Chart



Δp [PSI]	Valve Size							
	3"				4"			
	C-D	E-F	G-H	I-K	C-D	E-F	G-H	I-K
	Q[GPM]	Q[GPM]	Q[GPM]	Q[GPM]	Q[GPM]	Q[GPM]	Q[GPM]	Q[GPM]
3.6	286.53	277.68	294.80	292.60	511.28	495.53	525.80	521.84
7.3	404.80	392.70	416.90	413.60	723.05	700.74	743.60	737.88
14.5	573.01	555.37	589.60	585.20	1022.56	991.01	1051.60	1043.68
21.8	701.80	680.24	722.04	717.20	1252.37	1213.74	1287.88	1278.20
29.0	810.48	785.40	833.80	827.64	1446.10	1401.49	1487.20	1476.20
36.3	906.05	878.24	932.80	925.32	1617.00	1567.28	1663.20	1650.00
43.5	992.51	961.93	1021.24	1013.76	1771.13	1716.44	1821.60	1808.40
50.8	1072.02	1039.02	1103.08	1094.72	1913.12	1854.16	1967.24	1953.60
58.0	1146.02	1110.74	1179.20	1170.40	2045.12	1982.02	2103.20	2087.36
65.3	1215.54	1178.10	1250.92	1241.24	2169.20	2102.23	2230.80	2214.08
72.5	1281.28	1241.86	1318.24	1308.56	2286.68	2215.97	2351.36	2333.76

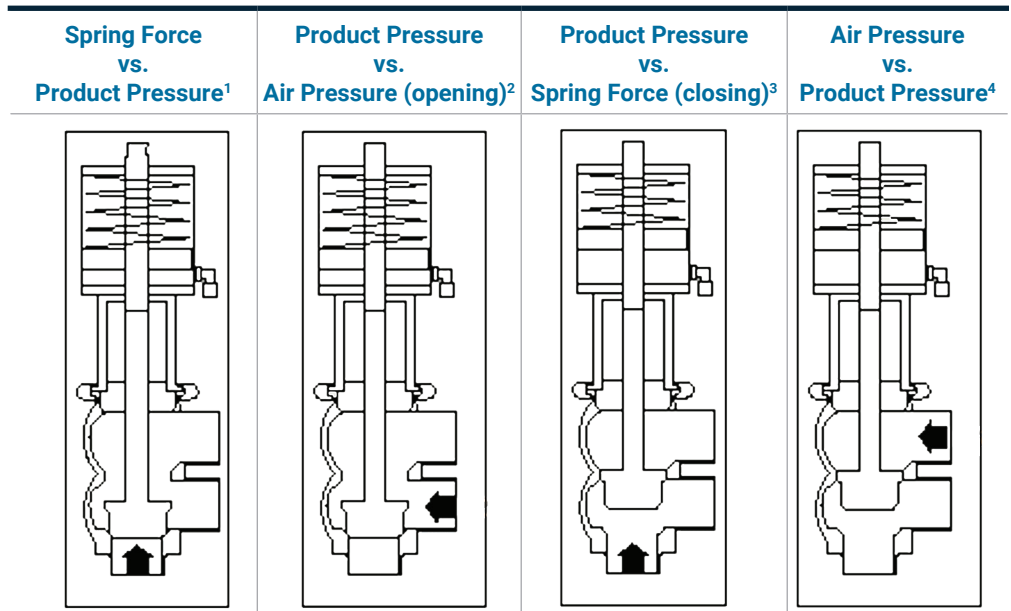
SSV-Series Single Seat Valve - Shut-Off Pressure Drop Chart



Δp [PSI]	Valve Size								
	1"			1-1/2"			2"		
	A-B Q[GPM]	C-D Q[GPM]	E-F Q[GPM]	A-B Q[GPM]	C-D Q[GPM]	E-F Q[GPM]	A-B Q[GPM]	C-D Q[GPM]	E-F Q[GPM]
3.6	26.75	26.40	25.52	66.35	65.34	63.27	123.64	121.66	117.92
7.3	37.84	37.40	36.08	93.85	92.40	89.50	166.06	172.04	166.76
14.5	53.52	52.67	51.04	132.70	130.68	126.54	247.28	243.32	235.84
21.8	65.56	64.68	62.48	162.54	160.16	155.01	302.85	298.01	288.86
29.0	75.68	74.49	72.16	187.66	184.80	179.08	349.80	344.08	333.52
36.3	84.61	83.29	80.70	209.88	206.62	200.20	390.98	384.74	372.90
43.5	92.84	91.21	88.44	229.86	226.34	219.16	428.30	421.52	408.50
50.8	100.14	98.56	95.48	248.29	244.51	236.72	462.62	455.40	441.32
58.0	107.05	105.34	102.08	265.32	261.36	253.09	494.56	486.64	471.68
65.3	113.52	111.76	108.24	281.60	277.20	268.40	524.57	516.12	500.28
72.5	119.68	117.74	114.14	296.74	292.16	282.92	553.08	544.28	527.56

Δp [PSI]	Valve Size								
	2-1/2"			3"			4"		
	A-B Q[GPM]	C-D Q[GPM]	E-F Q[GPM]	A-B Q[GPM]	C-D Q[GPM]	E-F Q[GPM]	A-B Q[GPM]	C-D Q[GPM]	E-F Q[GPM]
3.6	198.57	195.36	189.42	291.28	286.53	277.68	519.64	511.28	495.53
7.3	280.81	276.32	267.87	411.93	404.80	392.70	734.80	723.05	700.74
14.5	397.14	390.72	378.84	582.56	573.01	555.37	1039.28	1022.56	991.01
21.8	486.42	478.54	464.20	713.50	701.80	680.24	1272.92	1252.37	1213.74
29.0	561.66	552.55	535.92	823.86	810.48	785.40	1469.78	1446.10	1401.49
36.3	627.92	617.76	599.02	921.10	906.05	878.24	1643.27	1617.00	1567.28
43.5	687.90	676.72	656.17	1009.05	992.51	961.93	1800.04	1771.13	1716.44
50.8	742.98	730.97	708.84	1089.88	1072.02	1039.02	1944.36	1913.12	1854.16
58.0	794.29	781.44	757.68	1165.12	1146.02	1110.74	2078.56	2045.12	1982.02
65.3	842.60	828.96	803.66	1235.96	1215.54	1178.10	2204.40	2169.20	2102.23
72.5	888.05	873.84	847.13	1302.40	1281.28	1241.86	2324.08	2286.68	2215.97

SSV-Series Single Seat Valve - Spring Return (Air-to-Raise) Holding Pressure Chart



Plant Supply Air	Valve Size	Actuator Size	Seat Material	Spring Force vs. Product Pressure ¹		Product Pressure vs. Air Pressure (opening) ²		Product Pressure vs. Spring Force (closing) ³		Air Pressure vs. Product Pressure ⁴	
				bar	PSI	bar	PSI	bar	PSI	bar	PSI
80 PSI	1"	1"	Elastomer	12.3	178.4	16.0	232.0	6.8	98.6	16.0	232.0
			PTFE	10.3	149.4	16.0	232.0	6.9	100.1	16.0	232.0
	1-1/2"	2"	Elastomer	17.3	251.1	16.0	232.0	12.1	175.5	16.0	232.0
			PTFE	9.8	142.1	16.0	232.0	13.6	197.2	14.9	216.1
	2"	2"	Elastomer	9.3	134.9	9.8	142.1	8.2	118.9	8.8	127.6
			PTFE	10.6	153.7	10.3	149.4	7.6	110.2	9.8	142.1
	2-1/2"	3"	Elastomer	14.0	203.0	10.8	156.6	11.3	163.1	14.3	207.4
			PTFE	10.1	146.0	15.2	220.4	12.9	187.1	13.6	197.2
	3"	3"	Elastomer	9.5	137.8	9.3	134.9	8.3	120.4	8.8	127.6
			PTFE	9.8	142.1	10.2	147.9	8.3	120.4	10.9	158.1
	4"	3"	Elastomer	4.8	69.6	5.3	76.9	5.2	75.4	5.4	78.3
			PTFE	5.0	72.5	5.6	81.2	5.5	79.8	5.9	85.6

NOTE: **80 PSI** required for spring return actuators. Do not exceed **80 PSI**.

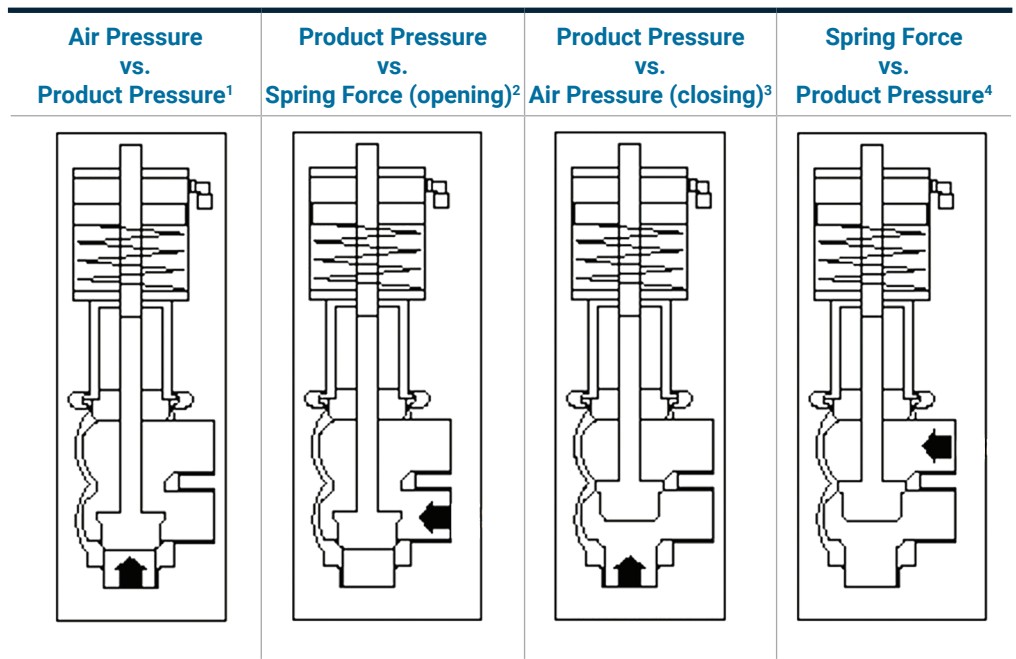
¹Product line pressure required to overcome the spring force of the actuator from the bottom port in the lowered position.

²Product line pressure required from the side port to prevent the valve stem from actuating to the raised position when actuated with **80 PSI** air.

³Product line pressure required from the bottom port to prevent the actuator spring from actuating to the lower position.

⁴Product line pressure required from the side port to overcome the actuated valve at **80 PSI** to force the valve stem to lower position.

SSV-Series Single Seat Valve - Spring Return (Air-to-Lower) Holding Pressure Chart



Plant Supply Air	Valve Size	Actuator Size	Seat Material	Air Pressure vs. Product Pressure ¹		Product Pressure vs. Spring Force (opening) ²		Product Pressure vs. Air Pressure (closing) ³		Spring Force vs. Product Pressure ⁴	
				bar	PSI	bar	PSI	bar	PSI	bar	PSI
80 PSI	1"	1"	Elastomer	16.0	232.0	9.3	134.9	12.8	185.6	11.8	171.1
			PTFE	16.0	232.0	11.8	170.8	15.0	217.5	9.3	134.9
	1-1/2"	2"	Elastomer	16.0	232.0	15.8	229.1	14.8	214.6	16.0	232.0
			PTFE	8.8	127.6	16.0	232.0	14.0	203.0	13.6	197.2
	2"	2"	Elastomer	10.1	146.5	9.2	133.4	8.1	117.5	9.5	137.8
			PTFE	8.1	117.5	10.1	146.5	8.4	121.8	9.2	133.4
	2-1/2"	3"	Elastomer	15.8	229.1	12.8	185.6	11.0	159.5	12.9	187.1
			PTFE	9.7	140.7	14.8	214.6	13.4	194.3	11.8	171.1
	3"	3"	Elastomer	10.0	145.0	9.3	134.9	9.3	134.9	9.1	132.0
			PTFE	10.0	145.0	9.1	131.7	9.3	134.9	9.7	140.7
	4"	3"	Elastomer	5.3	76.9	5.3	76.9	5.1	74.0	4.8	69.6
			PTFE	4.4	63.8	5.6	81.2	5.8	84.1	4.4	63.8

NOTE: **80 PSI** required for spring return actuators. Do not exceed **80 PSI**.

¹Product line pressure required from the bottom port to overcome the actuated valve at **80 PSI** to force the valve stem to the raised position.

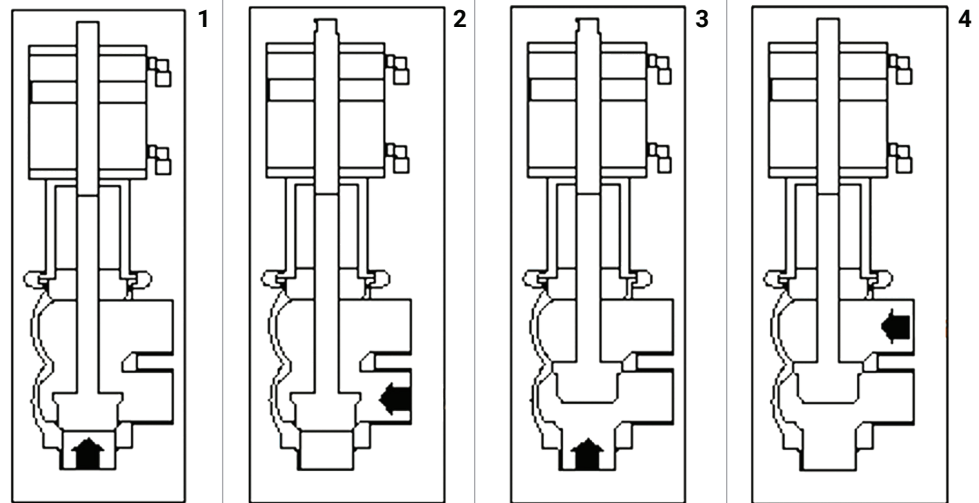
²Product line pressure required from the side port to prevent the actuator spring from actuating to the raised position.

³Product line pressure required from the bottom port to prevent the actuated valve from actuating to the lower position at **80 PSI**.

⁴Product line pressure required from the side port to overcome the spring force of the actuator to force the valve stem to the lower position.

SSV-Series Single Seat Valve - Double Acting Actuator Holding Pressure Chart

Air Pressure
vs.
Product Pressure



Plant Supply Air	Valve Size	Actuator Size	Seat Material	Air Pressure		Product Pressure		Air Pressure		Product Pressure	
				bar	PSI	bar	PSI	bar	PSI	bar	PSI
45 PSI	1"	1"	Elastomer	12.3	178.4	16.0	232.0	6.8	98.6	16.0	232.0
			PTFE	10.3	149.4	16.0	232.0	6.9	100.1	16.0	232.0
	1-1/2"	2"	Elastomer	17.3	251.1	16.0	232.0	12.1	175.5	16.0	232.0
			PTFE	9.8	142.1	16.0	232.0	13.6	197.2	14.9	216.1
	2"	2"	Elastomer	9.3	134.9	9.8	142.1	8.2	118.9	8.8	127.6
			PTFE	10.6	153.7	10.3	149.4	7.6	110.2	9.8	142.1
	2-1/2"	3"	Elastomer	14.0	203.0	10.8	156.6	11.3	163.1	14.3	207.4
			PTFE	10.1	146.0	15.2	220.4	12.9	187.1	13.6	197.2
	3"	3"	Elastomer	9.5	137.8	9.3	134.9	8.3	120.4	8.8	127.6
			PTFE	9.8	142.1	10.2	147.9	8.3	120.4	10.9	158.1
	4"	3"	Elastomer	4.8	69.6	5.3	76.9	5.2	75.4	5.4	78.3
			PTFE	5.0	72.5	5.6	81.2	5.5	79.8	5.9	85.6

NOTE: **45 PSI** required for double acting actuators. Do not exceed **45 PSI**.

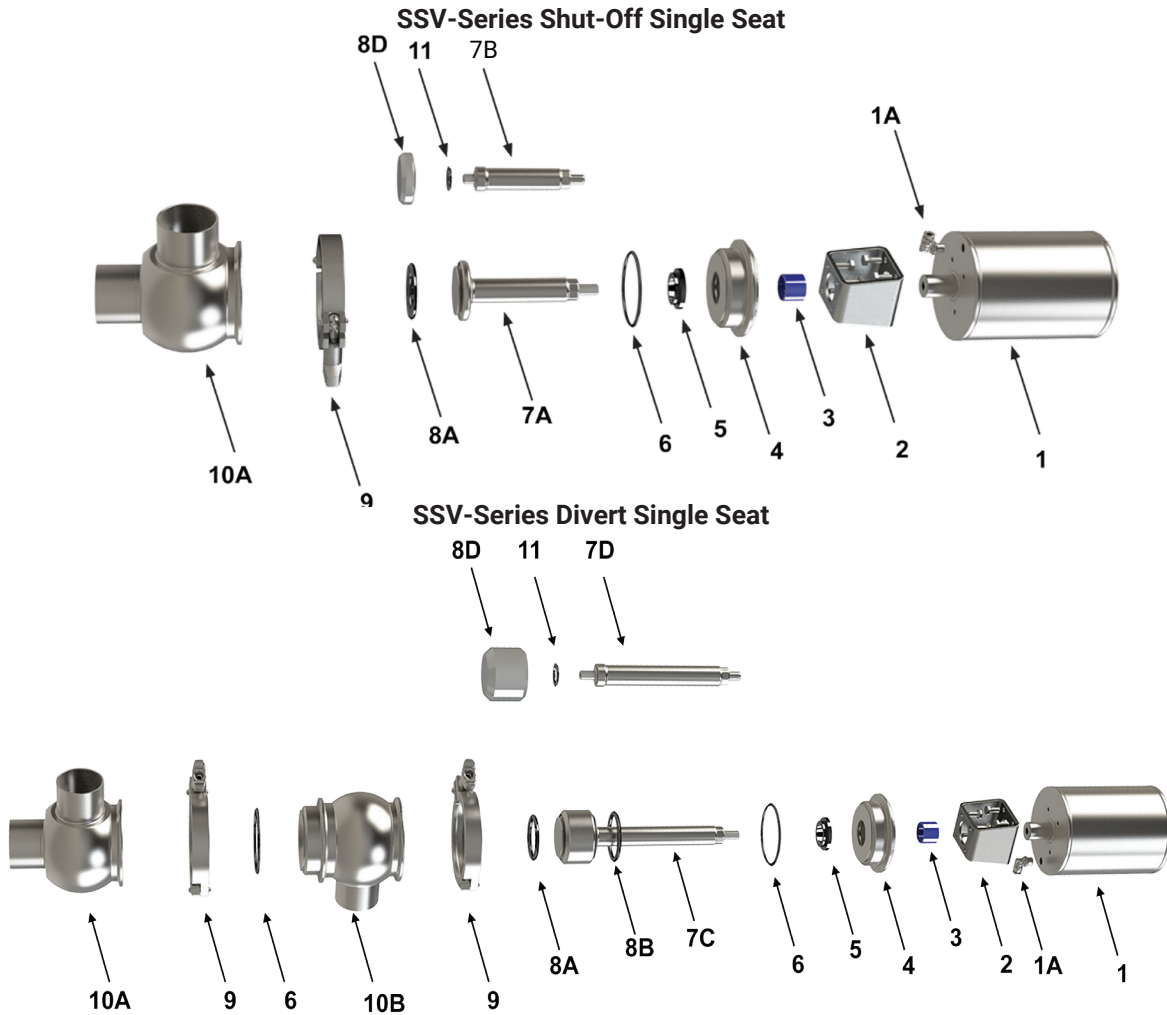
¹Product line pressure required from the bottom port to overcome the actuated valve at **80 PSI** to force the valve stem to the raised position.

²Product line pressure required from the side port to prevent the actuated valve at **80 PSI** from actuating to the raised position.

³Product line pressure required from the bottom port to prevent the actuated valve at **80 PSI** from actuating to the lower position.

⁴Product line pressure required from the side port to overcome the actuated valve at **80 PSI** to force the valve stem to the lower position.

SSV-Series Single Seat Valve - Bill of Materials



Part Type	Part Number	Item #	Material	Description	Qty		Valve Type
					Shut-Off	Divert	
Actuator	SSV-ACT-SR-10	1	304 SS	1" spring-return actuator	1	1	Shut-Off / Divert
	SSV-ACT-SR-1520		304 SS	1-1/2" to 2" spring-return actuator	1	1	
	SSV-ACT-SR-2540		304 SS	2-1/2" to 4" spring-return actuator	1	1	
	SSV-ACT-DA-10		304 SS	1" double acting actuator	1	1	
	SSV-ACT-DA-1520		304 SS	1-1/2" to 2" double acting actuator	1	1	
	SSV-ACT-DA-2540		304 SS	2-1/2" to 4" double acting actuator	1	1	
Air Fitting	36095611	1A	Ni Brass	1" to 4" male NPT push-in swivel elbow	1*	1*	Shut-Off / Divert
Actuator Adapter Bracket	SSV-AB10	2	304 SS	1" actuator adapter bracket	1	1	Shut-Off / Divert
	SSV-AB1540		304 SS	1-1/2" to 4" actuator adapter bracket	1	1	
Adapter Flange Slide Bearing	SSV-AFSB-1015	3	316L SS	1" to 1-1/2" adapter flange slide bearing	1	1	Shut-Off / Divert
	SSV-AFSB-2040		316L SS	2" to 4" adapter flange slide bearing	1	1	
Adapter Flange	SSV-ADFLNG-10	4	316L SS	1" adapter flange	1	1	Shut-Off / Divert
	SSV-ADFLNG-15		316L SS	1-1/2" adapter flange	1	1	
	SSV-ADFLNG-20		316L SS	2" adapter flange	1	1	
	SSV-ADFLNG-25		316L SS	2-1/2" adapter flange	1	1	
	SSV-ADFLNG-30		316L SS	3" adapter flange	1	1	
	SSV-ADFLNG-40		316L SS	4" adapter flange	1	1	

NOTE: *Use Qty 2 for double acting actuators

SSV-Series Single Seat Valve - Bill of Materials

SSV-Series Shut-Off and Divert Single Seats

Part Type	Part Number	Item #	Material	Description	Qty		Valve Type	
					Shut-Off	Divert		
Stem Lip Seal	SSV-LSE-1015	5	EPDM	1" to 1-1/2" stem lip seal	1	1	Shut-Off / Divert	
	SSV-LSE-2040		EPDM	2" to 4" stem lip seal	1	1		
	SSV-LSV-1015	5	FKM	1" to 1-1/2" stem lip seal	1	1	Shut-Off / Divert	
	SSV-LSV-2040		FKM	2" to 4" stem lip seal	1	1		
Adapter Flange Seal O-Ring	SSV-AFSO-E-10	6	EPDM	1" adapter flange seal O-ring	1	2	Shut-Off / Divert	
	SSV-AFSO-E-15		EPDM	1-1/2" adapter flange seal O-ring	1	2		
	SSV-AFSO-E-20		EPDM	2" adapter flange seal O-ring	1	2		
	SSV-AFSO-E-25		EPDM	2-1/2" adapter flange seal O-ring	1	2		
	SSV-AFSO-E-30		EPDM	3" adapter flange seal O-ring	1	2		
	SSV-AFSO-E-40		EPDM	4" adapter flange seal O-ring	1	2		
	SSV-AFSO-V-10	6	FKM	1" adapter flange seal O-ring	1	2	Shut-Off / Divert	
	SSV-AFSO-V-15		FKM	1-1/2" adapter flange seal O-ring	1	2		
	SSV-AFSO-V-20		FKM	2" adapter flange seal O-ring	1	2		
	SSV-AFSO-V-25		FKM	2-1/2" adapter flange seal O-ring	1	2		
	SSV-AFSO-V-30		FKM	3" adapter flange seal O-ring	1	2		
	SSV-AFSO-V-40		FKM	4" adapter flange seal O-ring	1	2		
	Single Body Valve Stem (Elastomeric Seal)	SSV-SVS-OS-10	7A	316L SS	1" single body valve stem (elastomeric seal)	1	-	Shut-Off
		SSV-SVS-OS-15		316L SS	1-1/2" single body valve stem (elastomeric seal)	1	-	
SSV-SVS-OS-20		316L SS		2" single body valve stem (elastomeric seal)	1	-		
SSV-SVS-OS-25		316L SS		2-1/2" single body valve stem (elastomeric seal)	1	-		
SSV-SVS-OS-30		316L SS		3" single body valve stem (elastomeric seal)	1	-		
SSV-SVS-OS-40		316L SS		4" single body valve stem (elastomeric seal)	1	-		
Single Body Valve Stem (PTFE Seal)	SSV-SVS-PS-10	7B	316L SS	1" single body valve stem (PTFE seal)	1	-	Shut-Off	
	SSV-SVS-PS-15		316L SS	1-1/2" single body valve stem (PTFE seal)	1	-		
	SSV-SVS-PS-20		316L SS	2" single body valve stem (PTFE seal)	1	-		
	SSV-SVS-PS-25		316L SS	2-1/2" single body valve stem (PTFE seal)	1	-		
	SSV-SVS-PS-30		316L SS	3" single body valve stem (PTFE seal)	1	-		
	SSV-SVS-PS-40		316L SS	4" single body valve stem (PTFE seal)	1	-		
Double Body Valve Stem (Elastomeric Seal)	SSV-DVS-OS-10	7C	316L SS	1" double body valve stem (elastomeric seal)	-	1	Divert	
	SSV-DVS-OS-15		316L SS	1-1/2" double body valve stem (elastomeric seal)	-	1		
	SSV-DVS-OS-20		316L SS	2" double body valve stem (elastomeric seal)	-	1		
	SSV-DVS-OS-25		316L SS	2-1/2" double body valve stem (elastomeric seal)	-	1		
	SSV-DVS-OS-30		316L SS	3" double body valve stem (elastomeric seal)	-	1		
	SSV-DVS-OS-40		316L SS	4" double body valve stem (elastomeric seal)	-	1		
Double Body Valve Stem (PTFE Seal)	SSV-DVS-PS-10	7D	316L SS	1" double body valve stem (PTFE seal)	-	1	Divert	
	SSV-DVS-PS-15		316L SS	1-1/2" double body valve stem (PTFE seal)	-	1		
	SSV-DVS-PS-20		316L SS	2" double body valve stem (PTFE seal)	-	1		
	SSV-DVS-PS-25		316L SS	2-1/2" double body valve stem (PTFE seal)	-	1		
	SSV-DVS-PS-30		316L SS	3" double body valve stem (PTFE seal)	-	1		
	SSV-DVS-PS-40		316L SS	4" double body valve stem (PTFE seal)	-	1		

SSV-Series Single Seat Valve - Bill of Materials

SSV-Series Shut-Off and Divert Single Seats

Part Type	Part Number	Item #	Material	Description	Qty		Valve Type
					Shut-Off	Divert	
Lower Stem Seal O-Ring	SSV-LSOR-E-10	8A	EPDM	1" lower stem seal O-ring	1	1	Shut-Off / Divert
	SSV-LSOR-E-15		EPDM	1-1/2" lower stem seal O-ring	1	1	
	SSV-LSOR-E-20		EPDM	2" lower stem seal O-ring	1	1	
	SSV-LSOR-E-25		EPDM	2-1/2" lower stem seal O-ring	1	1	
	SSV-LSOR-E-30		EPDM	3" lower stem seal O-ring	1	1	
	SSV-LSOR-E-40		EPDM	4" lower stem seal O-ring	1	1	
	SSV-LSOR-V-10	8A	FKM	1" lower stem seal O-ring	1	1	Shut-Off / Divert
	SSV-LSOR-V-15		FKM	1-1/2" lower stem seal O-ring	1	1	
	SSV-LSOR-V-20		FKM	2" lower stem seal O-ring	1	1	
	SSV-LSOR-V-25		FKM	2-1/2" lower stem seal O-ring	1	1	
	SSV-LSOR-V-30		FKM	3" lower stem seal O-ring	1	1	
	SSV-LSOR-V-40		FKM	4" lower stem seal O-ring	1	1	
Upper Stem Seal O-Ring	SSV-USOR-E-10	8B	EPDM	1" upper stem seal O-ring	-	1	Divert
	SSV-USOR-E-15		EPDM	1-1/2" upper stem seal O-ring	-	1	
	SSV-USOR-E-20		EPDM	2" upper stem seal O-ring	-	1	
	SSV-USOR-E-25		EPDM	2-1/2" upper stem seal O-ring	-	1	
	SSV-USOR-E-30		EPDM	3" upper stem seal O-ring	-	1	
	SSV-USOR-E-40		EPDM	4" upper stem seal O-ring	-	1	
	SSV-USOR-V-10	8B	FKM	1" upper stem seal O-ring	-	1	Divert
	SSV-USOR-V-15		FKM	1-1/2" upper stem seal O-ring	-	1	
	SSV-USOR-V-20		FKM	2" upper stem seal O-ring	-	1	
	SSV-USOR-V-25		FKM	2-1/2" upper stem seal O-ring	-	1	
	SSV-USOR-V-30		FKM	3" upper stem seal O-ring	-	1	
	SSV-USOR-V-40		FKM	4" upper stem seal O-ring	-	1	
Stem Seal Plug	SSV-SBSP-P-10	8C	PTFE	1" single body stem seal plug	1	-	Shut-Off
	SSV-SBSP-P-15		PTFE	1-1/2" single body stem seal plug	1	-	
	SSV-SBSP-P-20		PTFE	2" single body stem seal plug	1	-	
	SSV-SBSP-P-25		PTFE	2-1/2" single body stem seal plug	1	-	
	SSV-SBSP-P-30		PTFE	3" single body stem seal plug	1	-	
	SSV-SBSP-P-40		PTFE	4" single body stem seal plug	1	-	
	SSV-DBSP-P-10	8D	PTFE	1" double body stem seal plug	-	1	Divert
	SSV-DBSP-P-15		PTFE	1-1/2" double body stem seal plug	-	1	
	SSV-DBSP-P-20		PTFE	2" double body stem seal plug	-	1	
	SSV-DBSP-P-25		PTFE	2-1/2" double body stem seal plug	-	1	
	SSV-DBSP-P-30		PTFE	3" double body stem seal plug	-	1	
	SSV-DBSP-P-40		PTFE	4" double body stem seal plug	-	1	
Body Clamp	13MHHM200SN	9	304 SS	1" body clamp	1	2	Shut-Off / Divert
	13MHHM250SN		304 SS	1-1/2" body clamp	1	2	
	13MHHM300SN		304 SS	2" body clamp	1	2	
	13MHHV300SN		304 SS	2-1/2" body clamp	1	2	
	13MHHM400SN		304 SS	3" body clamp	1	2	
	13MHHM500SN		304 SS	4" body clamp	1	2	

SSV-Series Single Seat Valve - Bill of Materials

SSV-Series Shut-Off and Divert Single Seats

Part Type	Part Number	Item #	Material	Description	Qty		Valve Type
					Shut-Off	Divert	
Lower Valve Body (L-Port) Tri-Clamp	SSV-LBLC10	10A	316L SS	1" lower valve body (L) configuration, tri-clamp	1	1	Shut-Off / Divert
	SSV-LBLC15		316L SS	1-1/2" lower valve body (L) configuration, tri-clamp	1	1	
	SSV-LBLC20		316L SS	2" lower valve body (L) configuration, tri-clamp	1	1	
	SSV-LBLC25		316L SS	2-1/2" lower valve body (L) configuration, tri-clamp	1	1	
	SSV-LBLC30		316L SS	3" lower valve body (L) configuration, tri-clamp	1	1	
	SSV-LBLC40		316L SS	4" lower valve body (L) configuration, tri-clamp	1	1	
Lower Valve Body (L-Port) Butt weld	SSV-LBLB10	10A	316L SS	1" lower valve body (L) configuration, butt weld	1	1	Shut-Off / Divert
	SSV-LBLB15		316L SS	1-1/2" lower valve body (L) configuration, butt weld	1	1	
	SSV-LBLB20		316L SS	2" lower valve body (L) configuration, butt weld	1	1	
	SSV-LBLB25		316L SS	2-1/2" lower valve body (L) configuration, butt weld	1	1	
	SSV-LBLB30		316L SS	3" lower valve body (L) configuration, butt weld	1	1	
	SSV-LBLB40		316L SS	4" lower valve body (L) configuration, butt weld	1	1	
Lower Valve Body (T-Port) Tri-Clamp	SSV-LBTC10	10A	316L SS	1" lower valve body (T) configuration, tri-clamp	1	1	Shut-Off / Divert
	SSV-LBTC15		316L SS	1-1/2" lower valve body (T) configuration, tri-clamp	1	1	
	SSV-LBTC20		316L SS	2" lower valve body (T) configuration, tri-clamp	1	1	
	SSV-LBTC25		316L SS	2-1/2" lower valve body (T) configuration, tri-clamp	1	1	
	SSV-LBTC30		316L SS	3" lower valve body (T) configuration, tri-clamp	1	1	
	SSV-LBTC40		316L SS	4" lower valve body (T) configuration, tri-clamp	1	1	
Lower Valve Body (T-Port) Butt weld	SSV-LBTB10	10A	316L SS	1" lower valve body (T) configuration, butt weld	1	1	Shut-Off / Divert
	SSV-LBTB15		316L SS	1-1/2" lower valve body (T) configuration, butt weld	1	1	
	SSV-LBTB20		316L SS	2" lower valve body (T) configuration, butt weld	1	1	
	SSV-LBTB25		316L SS	2-1/2" lower valve body (T) configuration, butt weld	1	1	
	SSV-LBTB30		316L SS	3" lower valve body (T) configuration, butt weld	1	1	
	SSV-LBTB40		316L SS	4" lower valve body (T) configuration, butt weld	1	1	
Lower Valve Body (Y-Port) Tri-Clamp	SSV-LBYC10	10A	316L SS	1" lower valve body (Y) configuration, tri-clamp	1	-	Shut-Off
	SSV-LBYC15		316L SS	1-1/2" lower valve body (Y) configuration, tri-clamp	1	-	
	SSV-LBYC20		316L SS	2" lower valve body (Y) configuration, tri-clamp	1	-	
	SSV-LBYC25		316L SS	2-1/2" lower valve body (Y) configuration, tri-clamp	1	-	
	SSV-LBYC30		316L SS	3" lower valve body (Y) configuration, tri-clamp	1	-	
	SSV-LBYC40		316L SS	4" lower valve body (Y) configuration, tri-clamp	1	-	
Lower Valve Body (Y-Port) Butt weld	SSV-LBYB10	10A	316L SS	1" lower valve body (Y) configuration, butt weld	1	-	Shut-Off
	SSV-LBYB15		316L SS	1-1/2" lower valve body (Y) configuration, butt weld	1	-	
	SSV-LBYB20		316L SS	2" lower valve body (Y) configuration, butt weld	1	-	
	SSV-LBYB25		316L SS	2-1/2" lower valve body (Y) configuration, butt weld	1	-	
	SSV-LBYB30		316L SS	3" lower valve body (Y) configuration, butt weld	1	-	
	SSV-LBYB40		316L SS	4" lower valve body (Y) configuration, butt weld	1	-	
Upper Valve Body (L-Port) Tri-Clamp	SSV-UBLC10	10B	316L SS	1" upper valve body (L) configuration, tri-clamp	-	1	Divert
	SSV-UBLC15		316L SS	1-1/2" upper valve body (L) configuration, tri-clamp	-	1	
	SSV-UBLC20		316L SS	2" upper valve body (L) configuration, tri-clamp	-	1	
	SSV-UBLC25		316L SS	2-1/2" upper valve body (L) configuration, tri-clamp	-	1	
	SSV-UBLC30		316L SS	3" upper valve body (L) configuration, tri-clamp	-	1	
	SSV-UBLC40		316L SS	4" upper valve body (L) configuration, tri-clamp	-	1	
Upper Valve Body (L-Port) Butt weld	SSV-UBLB10	10B	316L SS	1" upper valve body (L) configuration, butt weld	-	1	Divert
	SSV-UBLB15		316L SS	1-1/2" upper valve body (L) configuration, butt weld	-	1	
	SSV-UBLB20		316L SS	2" upper valve body (L) configuration, butt weld	-	1	
	SSV-UBLB25		316L SS	2-1/2" upper valve body (L) configuration, butt weld	-	1	
	SSV-UBLB30		316L SS	3" upper valve body (L) configuration, butt weld	-	1	
	SSV-UBLB40		316L SS	4" upper valve body (L) configuration, butt weld	-	1	

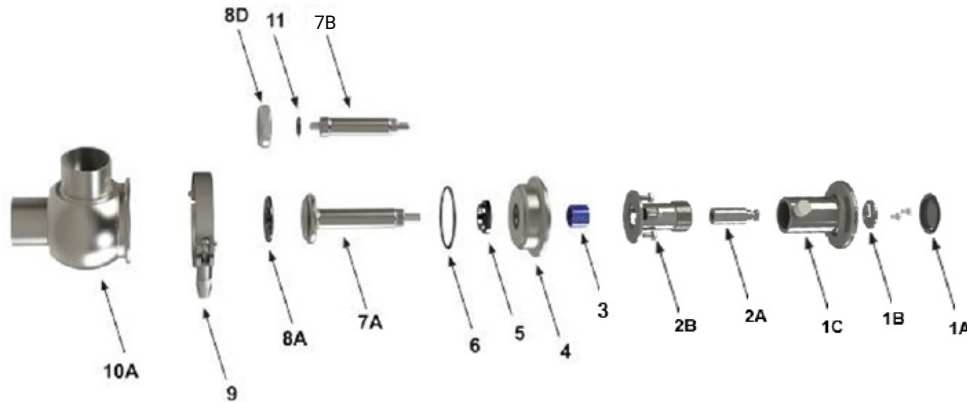
SSV-Series Single Seat Valve - Bill of Materials

SSV Series Shut-Off and Divert Single Seats

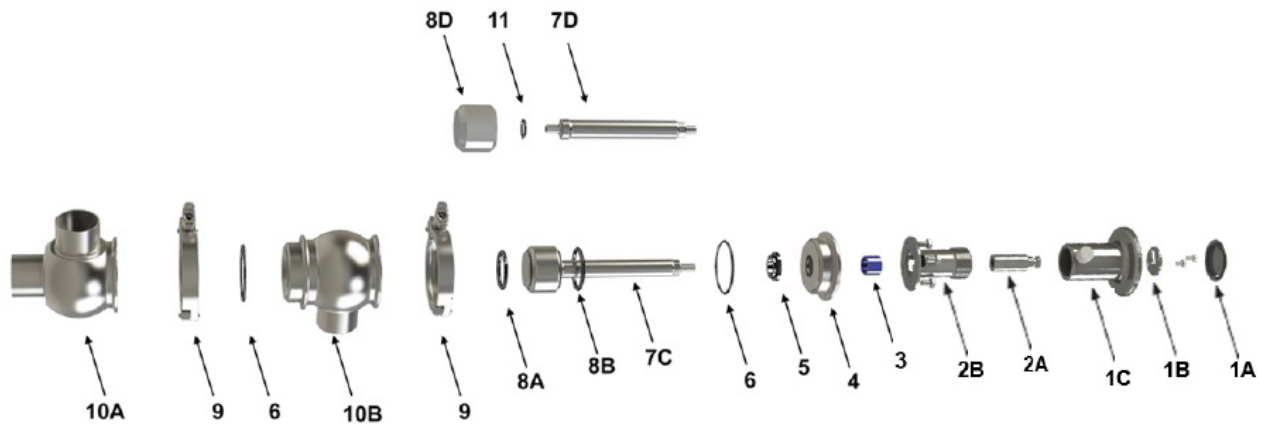
Part Type	Part Number	Item #	Material	Description	Qty		Valve Type
					Shut-Off	Divert	
Upper Valve Body (T-Port) Tri-Clamp	SSV-UBTC10	10B	316L SS	1" upper valve body (T) configuration, tri-clamp	-	1	Divert
	SSV-UBTC15		316L SS	1-1/2" upper valve body (T) configuration, tri-clamp	-	1	
	SSV-UBTC20		316L SS	2" upper valve body (T) configuration, tri-clamp	-	1	
	SSV-UBTC25		316L SS	2-1/2" upper valve body (T) configuration, tri-clamp	-	1	
	SSV-UBTC30		316L SS	3" upper valve body (T) configuration, tri-clamp	-	1	
	SSV-UBTC40		316L SS	4" upper valve body (T) configuration, tri-clamp	-	1	
Upper Valve Body (T-Port) Buttweld	SSV-UBTB10	10B	316L SS	1" upper valve body (T) configuration, buttweld	-	1	Divert
	SSV-UBTB15		316L SS	1-1/2" upper valve body (T) configuration, buttweld	-	1	
	SSV-UBTB20		316L SS	2" upper valve body (T) configuration, buttweld	-	1	
	SSV-UBTB25		316L SS	2-1/2" upper valve body (T) configuration, buttweld	-	1	
	SSV-UBTB30		316L SS	3" upper valve body (T) configuration, buttweld	-	1	
	SSV-UBTB40		316L SS	4" upper valve body (T) configuration, buttweld	-	1	
Stem Seal Plug O-Ring	SSV-SPOR-E-1015	11	EPDM	1" to 1-1/2" stem seal plug O-ring	1	1	Shut-Off / Divert
	SSV-SPOR-E-2040		EPDM	2" to 4" stem seal plug O-ring	1	1	
	SSV-SPOR-V-1015		FKM	1" to 1-1/2" stem seal plug O-ring	1	1	Shut-Off / Divert
	SSV-SPOR-V-2040		FKM	2" to 4" stem seal plug O-ring	1	1	

SSV-Series Single Seat Valve - Bill of Materials

SSV-Series Shut-Off Single Seat (Manual Handle)



SSV-Series Divert Single Seat (Manual Handle)



Part Type	Part Number	Item #	Material	Description	Qty		Valve Type
					Shut-Off	Divert	
Handle Cap	9750K320	1A	Poly	1" to 4" handle cap cover	1	1	Shut-Off / Divert
Handle Retainer	SSV-HR-1040	1B	304 SS	1" to 4" handle retainer ring	1	1	Shut-Off / Divert
Handle	SSV-HA-1040	1C	304 SS	1" to 4" handle	1	1	Shut-Off / Divert
	SSV-SC-1015		304 SS	1" to 1-1/2" handle stem	1	1	
Handle Stem	SSV-SC-2025	2A	304 SS	2" to 2-1/2" handle stem	1	1	Shut-Off / Divert
	SSV-SC-3040		304 SS	3" to 4" handle stem	1	1	
Handle Hub	SSV-HAB-10	2B	304 SS	1" handle hub	1	1	Shut-Off / Divert
	SSV-HAB-1540		304 SS	1-1/2" to 4" handle hub	1	1	
Adapter Flange Slide Bearing	SSV-AFSB-1015	3	Poly	1" to 1-1/2" adapter flange slide bearing	1	1	Shut-Off / Divert
	SSV-AFSB-2040			2" to 4" adapter flange slide bearing	1	1	
Adapter Flange	SSV-ADFLNG-10	4	316L SS	1" adapter flange	1	1	Shut-Off / Divert
	SSV-ADFLNG-15		316L SS	1-1/2" adapter flange	1	1	
	SSV-ADFLNG-20		316L SS	2" adapter flange	1	1	
	SSV-ADFLNG-25		316L SS	2-1/2" adapter flange	1	1	
	SSV-ADFLNG-30		316L SS	3" adapter flange	1	1	
	SSV-ADFLNG-40		316L SS	4" adapter flange	1	1	
	SSV-ADFLNG-40		316L SS	4" adapter flange	1	1	

SSV-Series Single Seat Valve - Bill of Materials

SSV-Series Shut-Off and Divert Single Seats (Manual Handle)

Part Type	Part Number	Item #	Material	Description	Qty		Valve Type			
					Shut-Off	Divert				
Stem Lip Seal	SSV-LSE-1015	5	EPDM	1" to 1-1/2" stem lip seal	1	1	Shut-Off / Divert			
	SSV-LSE-2040		EPDM	2" to 4" stem lip seal	1	1				
	SSV-LSV-1015	5	FKM	1" to 1-1/2" stem lip seal	1	1	Shut-Off / Divert			
	SSV-LSV-2040		FKM	2" to 4" stem lip seal	1	1				
Adapter Flange Seal O-Ring	SSV-AFSO-E-10	6	EPDM	1" adapter flange seal O-ring	1	2	Shut-Off / Divert			
	SSV-AFSO-E-15		EPDM	1-1/2" adapter flange seal O-ring	1	2				
	SSV-AFSO-E-20		EPDM	2" adapter flange seal O-ring	1	2				
	SSV-AFSO-E-25		EPDM	2-1/2" adapter flange seal O-ring	1	2				
	SSV-AFSO-E-30		EPDM	3" adapter flange seal O-ring	1	2				
	SSV-AFSO-E-40		EPDM	4" adapter flange seal O-ring	1	2				
	SSV-AFSO-V-10	6	FKM	1" adapter flange seal O-ring	1	2	Shut-Off / Divert			
	SSV-AFSO-V-15		FKM	1-1/2" adapter flange seal O-ring	1	2				
	SSV-AFSO-V-20		FKM	2" adapter flange seal O-ring	1	2				
	SSV-AFSO-V-25		FKM	2-1/2" adapter flange seal O-ring	1	2				
	SSV-AFSO-V-30		FKM	3" adapter flange seal O-ring	1	2				
	SSV-AFSO-V-40		FKM	4" adapter flange seal O-ring	1	2				
	Single Body Valve Stem (Elastomeric Seal)		SSV-SVS-OS-10	7A	316L SS	1" single body valve stem (elastomeric seal)		1	-	Shut-Off
			SSV-SVS-OS-15		316L SS	1-1/2" single body valve stem (elastomeric seal)		1	-	
SSV-SVS-OS-20		316L SS	2" single body valve stem (elastomeric seal)		1	-				
SSV-SVS-OS-25		316L SS	2-1/2" single body valve stem (elastomeric seal)		1	-				
SSV-SVS-OS-30		316L SS	3" single body valve stem (elastomeric seal)		1	-				
SSV-SVS-OS-40		316L SS	4" single body valve stem (elastomeric seal)		1	-				
Single Body Valve Stem (PTFE Seal)	SSV-SVS-PS-10	7B	316L SS	1" single body valve stem (PTFE seal)	1	-	Shut-Off			
	SSV-SVS-PS-15		316L SS	1-1/2" single body valve stem (PTFE seal)	1	-				
	SSV-SVS-PS-20		316L SS	2" single body valve stem (PTFE seal)	1	-				
	SSV-SVS-PS-25		316L SS	2-1/2" single body valve stem (PTFE seal)	1	-				
	SSV-SVS-PS-30		316L SS	3" single body valve stem (PTFE seal)	1	-				
	SSV-SVS-PS-40		316L SS	4" single body valve stem (PTFE seal)	1	-				
Double Body Valve Stem (Elastomeric Seal)	SSV-DVS-OS-10	7C	316L SS	1" double body valve stem (elastomeric seal)	-	1	Divert			
	SSV-DVS-OS-15		316L SS	1-1/2" double body valve stem (elastomeric seal)	-	1				
	SSV-DVS-OS-20		316L SS	2" double body valve stem (elastomeric seal)	-	1				
	SSV-DVS-OS-25		316L SS	2-1/2" double body valve stem (elastomeric seal)	-	1				
	SSV-DVS-OS-30		316L SS	3" double body valve stem (elastomeric seal)	-	1				
	SSV-DVS-OS-40		316L SS	4" double body valve stem (elastomeric seal)	-	1				
Double Body Valve Stem (PTFE Seal)	SSV-DVS-PS-10	7D	316L SS	1" double body valve stem (PTFE seal)	-	1	Divert			
	SSV-DVS-PS-15		316L SS	1-1/2" double body valve stem (PTFE seal)	-	1				
	SSV-DVS-PS-20		316L SS	2" double body valve stem (PTFE seal)	-	1				
	SSV-DVS-PS-25		316L SS	2-1/2" double body valve stem (PTFE seal)	-	1				
	SSV-DVS-PS-30		316L SS	3" double body valve stem (PTFE seal)	-	1				
	SSV-DVS-PS-40		316L SS	4" double body valve stem (PTFE seal)	-	1				
Lower Stem Seal O-Ring	SSV-LSOR-E-10	8A	EPDM	1" lower stem seal O-ring	1	1	Shut-Off / Divert			
	SSV-LSOR-E-15		EPDM	1-1/2" lower stem seal O-ring	1	1				
	SSV-LSOR-E-20		EPDM	2" lower stem seal O-ring	1	1				
	SSV-LSOR-E-25		EPDM	2-1/2" lower stem seal O-ring	1	1				
	SSV-LSOR-E-30		EPDM	3" lower stem seal O-ring	1	1				
	SSV-LSOR-E-40		EPDM	4" lower stem seal O-ring	1	1				
	SSV-LSOR-V-10	8A	FKM	1" lower stem seal O-ring	1	1	Shut-Off / Divert			
	SSV-LSOR-V-15		FKM	1-1/2" lower stem seal O-ring	1	1				
	SSV-LSOR-V-20		FKM	2" lower stem seal O-ring	1	1				
	SSV-LSOR-V-25		FKM	2-1/2" lower stem seal O-ring	1	1				
	SSV-LSOR-V-30		FKM	3" lower stem seal O-ring	1	1				
	SSV-LSOR-V-40		FKM	4" lower stem seal O-ring	1	1				

SSV-Series Single Seat Valve - Bill of Materials

SSV-Series Shut-Off and Divert Single Seats (Manual Handle)

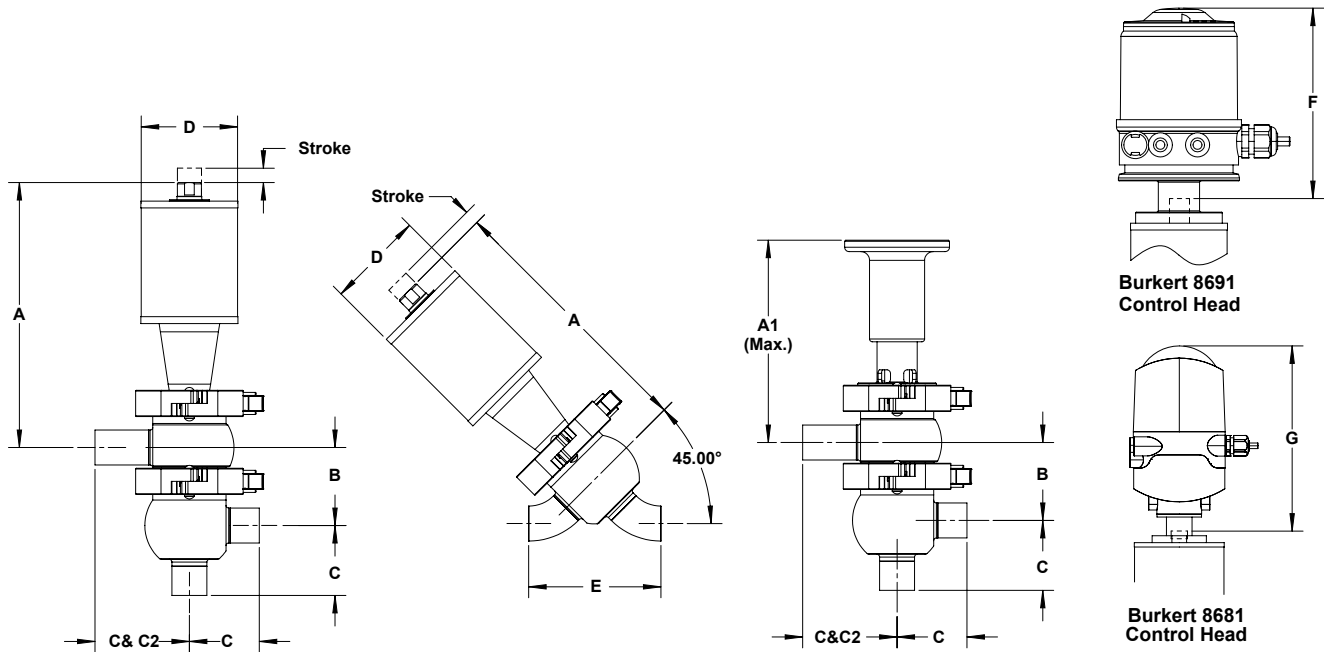
Part Type	Part Number	Item #	Material	Description	Qty		Valve Type	
					Shut-Off	Divert		
Upper Stem Seal O-Ring	SSV-USOR-E-10	8B	EPDM	1" upper stem seal O-ring	-	1	Divert	
	SSV-USOR-E-15		EPDM	1-1/2" upper stem seal O-ring	-	1		
	SSV-USOR-E-20		EPDM	2" upper stem seal O-ring	-	1		
	SSV-USOR-E-25		EPDM	2-1/2" upper stem seal O-ring	-	1		
	SSV-USOR-E-30		EPDM	3" upper stem seal O-ring	-	1		
	SSV-USOR-E-40		EPDM	4" upper stem seal O-ring	-	1		
	Upper Stem Seal O-Ring	SSV-USOR-V-10	8B	FKM	1" upper stem seal O-ring	-	1	Divert
		SSV-USOR-V-15		FKM	1-1/2" upper stem seal O-ring	-	1	
		SSV-USOR-V-20		FKM	2" upper stem seal O-ring	-	1	
		SSV-USOR-V-25		FKM	2-1/2" upper stem seal O-ring	-	1	
SSV-USOR-V-30		FKM		3" upper stem seal O-ring	-	1		
SSV-USOR-V-40		FKM		4" upper stem seal O-ring	-	1		
Stem Seal Plug	SSV-SBSP-P-10	8C	PTFE	1" single body stem seal plug	1	-	Shut-Off	
	SSV-SBSP-P-15		PTFE	1-1/2" single body stem seal plug	1	-		
	SSV-SBSP-P-20		PTFE	2" single body stem seal plug	1	-		
	SSV-SBSP-P-25		PTFE	2-1/2" single body stem seal plug	1	-		
	SSV-SBSP-P-30		PTFE	3" single body stem seal plug	1	-		
	SSV-SBSP-P-40		PTFE	4" single body stem seal plug	1	-		
	Stem Seal Plug	SSV-DBSP-P-10	8D	PTFE	1" double body stem seal plug	-	1	Divert
		SSV-DBSP-P-15		PTFE	1-1/2" double body stem seal plug	-	1	
		SSV-DBSP-P-20		PTFE	2" double body stem seal plug	-	1	
		SSV-DBSP-P-25		PTFE	2-1/2" double body stem seal plug	-	1	
SSV-DBSP-P-30		PTFE		3" double body stem seal plug	-	1		
Body Clamp	SSV-DBSP-P-40	PTFE	4" double body stem seal plug	-	1			
	13MHHM200SN	9	304 SS	1" body clamp	1	2	Shut-Off / Divert	
	13MHHM250SN		304 SS	1-1/2" body clamp	1	2		
	13MHHM300SN		304 SS	2" body clamp	1	2		
	13MHHV300SN		304 SS	2-1/2" body clamp	1	2		
	13MHHM400SN		304 SS	3" body clamp	1	2		
	13MHHM500SN		304 SS	4" body clamp	1	2		
Lower Valve Body (L-Port) Tri-Clamp	SSV-LBLC10		10A	316L SS	1" lower valve body (L) configuration, tri-clamp	1		1
	SSV-LBLC15	316L SS		1-1/2" lower valve body (L) configuration, tri-clamp	1	1		
	SSV-LBLC20	316L SS		2" lower valve body (L) configuration, tri-clamp	1	1		
	SSV-LBLC25	316L SS		2-1/2" lower valve body (L) configuration, tri-clamp	1	1		
	SSV-LBLC30	316L SS		3" lower valve body (L) configuration, tri-clamp	1	1		
	SSV-LBLC40	316L SS		4" lower valve body (L) configuration, tri-clamp	1	1		
Lower Valve Body (L-Port) Butt-weld	SSV-LBLB10	10A	316L SS	1" lower valve body (L) configuration, butt-weld	1	1	Shut-Off / Divert	
	SSV-LBLB15		316L SS	1-1/2" lower valve body (L) configuration, butt-weld	1	1		
	SSV-LBLB20		316L SS	2" lower valve body (L) configuration, butt-weld	1	1		
	SSV-LBLB25		316L SS	2-1/2" lower valve body (L) configuration, butt-weld	1	1		
	SSV-LBLB30		316L SS	3" lower valve body (L) configuration, butt-weld	1	1		
	SSV-LBLB40		316L SS	4" lower valve body (L) configuration, butt-weld	1	1		
Lower Valve Body (T-Port) Tri-Clamp	SSV-LBTC10	10A	316L SS	1" lower valve body (T) configuration, tri-clamp	1	1	Shut-Off / Divert	
	SSV-LBTC15		316L SS	1-1/2" lower valve body (T) configuration, tri-clamp	1	1		
	SSV-LBTC20		316L SS	2" lower valve body (T) configuration, tri-clamp	1	1		
	SSV-LBTC25		316L SS	2-1/2" lower valve body (T) configuration, tri-clamp	1	1		
	SSV-LBTC30		316L SS	3" lower valve body (T) configuration, tri-clamp	1	1		
	SSV-LBTC40		316L SS	4" lower valve body (T) configuration, tri-clamp	1	1		

SSV-Series Single Seat Valve - Bill of Materials

SSV-Series Shut-Off and Divert Single Seats (Manual Handle)

Part Type	Part Number	Item #	Material	Description	Qty		Valve Type
					Shut-Off	Divert	
Lower Valve Body (T-Port) Butt weld	SSV-LBTB10	10A	316L SS	1" lower valve body (T) configuration, butt weld	1	1	Shut-Off / Divert
	SSV-LBTB15		316L SS	1-1/2" lower valve body (T) configuration, butt weld	1	1	
	SSV-LBTB20		316L SS	2" lower valve body (T) configuration, butt weld	1	1	
	SSV-LBTB25		316L SS	2-1/2" lower valve body (T) configuration, butt weld	1	1	
	SSV-LBTB30		316L SS	3" lower valve body (T) configuration, butt weld	1	1	
	SSV-LBTB40		316L SS	4" lower valve body (T) configuration, butt weld	1	1	
Lower Valve Body (Y-Port) Tri-Clamp	SSV-LBYC10	10A	316L SS	1" lower valve body (Y) configuration, tri-clamp	1	-	Shut-Off
	SSV-LBYC15		316L SS	1-1/2" lower valve body (Y) configuration, tri-clamp	1	-	
	SSV-LBYC20		316L SS	2" lower valve body (Y) configuration, tri-clamp	1	-	
	SSV-LBYC25		316L SS	2-1/2" lower valve body (Y) configuration, tri-clamp	1	-	
	SSV-LBYC30		316L SS	3" lower valve body (Y) configuration, tri-clamp	1	-	
	SSV-LBYC40		316L SS	4" lower valve body (Y) configuration, tri-clamp	1	-	
Lower Valve Body (Y-Port) Butt weld	SSV-LBYB10	10A	316L SS	1" lower valve body (Y) configuration, butt weld	1	-	Shut-Off
	SSV-LBYB15		316L SS	1-1/2" lower valve body (Y) configuration, butt weld	1	-	
	SSV-LBYB20		316L SS	2" lower valve body (Y) configuration, butt weld	1	-	
	SSV-LBYB25		316L SS	2-1/2" lower valve body (Y) configuration, butt weld	1	-	
	SSV-LBYB30		316L SS	3" lower valve body (Y) configuration, butt weld	1	-	
	SSV-LBYB40		316L SS	4" lower valve body (Y) configuration, butt weld	1	-	
Upper Valve Body (L-Port) Tri-Clamp	SSV-UBLC10	10B	316L SS	1" upper valve body (L) configuration, tri-clamp	-	1	Divert
	SSV-UBLC15		316L SS	1-1/2" upper valve body (L) configuration, tri-clamp	-	1	
	SSV-UBLC20		316L SS	2" upper valve body (L) configuration, tri-clamp	-	1	
	SSV-UBLC25		316L SS	2-1/2" upper valve body (L) configuration, tri-clamp	-	1	
	SSV-UBLC30		316L SS	3" upper valve body (L) configuration, tri-clamp	-	1	
	SSV-UBLC40		316L SS	4" upper valve body (L) configuration, tri-clamp	-	1	
Upper Valve Body (L-Port) Butt weld	SSV-UBLB10	10B	316L SS	1" upper valve body (L) configuration, butt weld	-	1	Divert
	SSV-UBLB15		316L SS	1-1/2" upper valve body (L) configuration, butt weld	-	1	
	SSV-UBLB20		316L SS	2" upper valve body (L) configuration, butt weld	-	1	
	SSV-UBLB25		316L SS	2-1/2" upper valve body (L) configuration, butt weld	-	1	
	SSV-UBLB30		316L SS	3" upper valve body (L) configuration, butt weld	-	1	
	SSV-UBLB40		316L SS	4" upper valve body (L) configuration, butt weld	-	1	
Upper Valve Body (T-Port) Tri-Clamp	SSV-UBTC10	10B	316L SS	1" upper valve body (T) configuration, tri-clamp	-	1	Divert
	SSV-UBTC15		316L SS	1-1/2" upper valve body (T) configuration, tri-clamp	-	1	
	SSV-UBTC20		316L SS	2" upper valve body (T) configuration, tri-clamp	-	1	
	SSV-UBTC25		316L SS	2-1/2" upper valve body (T) configuration, tri-clamp	-	1	
	SSV-UBTC30		316L SS	3" upper valve body (T) configuration, tri-clamp	-	1	
	SSV-UBTC40		316L SS	4" upper valve body (T) configuration, tri-clamp	-	1	
Upper Valve Body (T-Port) Butt weld	SSV-UBTB10	10B	316L SS	1" upper valve body (T) configuration, butt weld	-	1	Divert
	SSV-UBTB15		316L SS	1-1/2" upper valve body (T) configuration, butt weld	-	1	
	SSV-UBTB20		316L SS	2" upper valve body (T) configuration, butt weld	-	1	
	SSV-UBTB25		316L SS	2-1/2" upper valve body (T) configuration, butt weld	-	1	
	SSV-UBTB30		316L SS	3" upper valve body (T) configuration, butt weld	-	1	
	SSV-UBTB40		316L SS	4" upper valve body (T) configuration, butt weld	-	1	
Stem Seal Plug O-Ring	SSV-SPOR-E-1015	11	EPDM	1" to 1-1/2" stem seal plug O-ring	1	1	Shut-Off / Divert
	SSV-SPOR-E-2040		EPDM	2" to 4" stem seal plug O-ring	1	1	
	SSV-SPOR-V-1015		FKM	1" to 1-1/2" stem seal plug O-ring	1	1	Shut-Off / Divert
	SSV-SPOR-V-2040		FKM	2" to 4" stem seal plug O-ring	1	1	

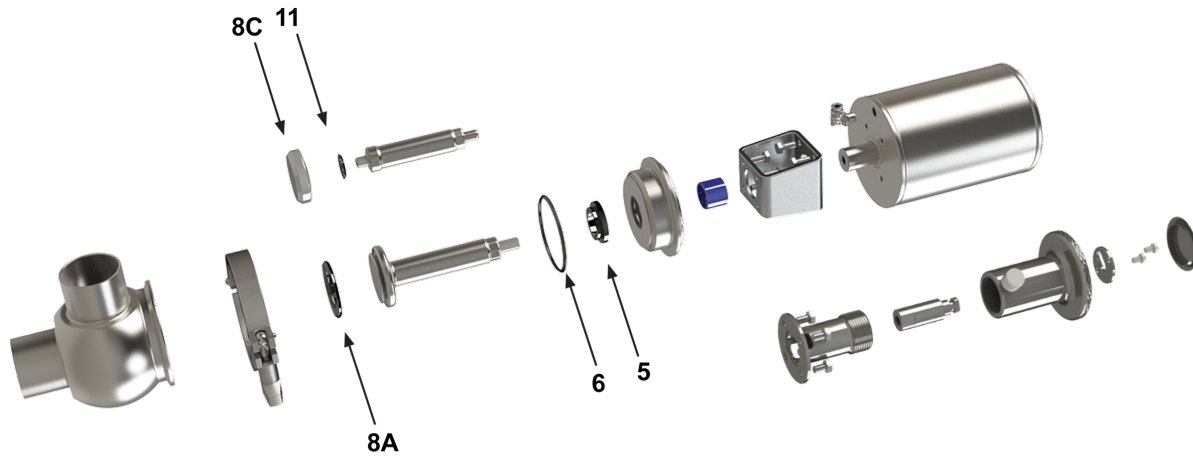
SSV-Series Single Seat Valve - Dimensions



Valve Size	A (in)	A1 (in)	Stroke (in)	B (in)	C (in) (Clamp)	C (in) (Weld)	C2 (in) (Clamp)	C2 (in) (Weld)	D (in)	E (in) (Clamp)	E (in) (Weld)	F (in)	G (in)
1"	7.58	5.80	0.41	2.23	2.50	2.00	3.20	2.00	2.78	4.78	3.78	6.00	8.47
1-1/2"	8.80	6.10	0.77	3.15	2.75	2.25	-	-	4.11	6.60	5.60		
2"	9.05	6.28	0.77	3.64	3.50	3.00	-	-	4.11	7.64	6.64		
2-1/2"	11.36	6.52	1.04	4.72	3.50	3.00	-	-	6.08	9.33	8.33		
3"	11.61	6.78	1.04	5.04	3.75	3.25	-	-	6.08	10.63	9.63		
4"	12.10	7.25	1.04	5.94	4.50	3.87	-	-	6.08	13.18	11.93		

SSV-Series Single Seat Valve - Repair Kits

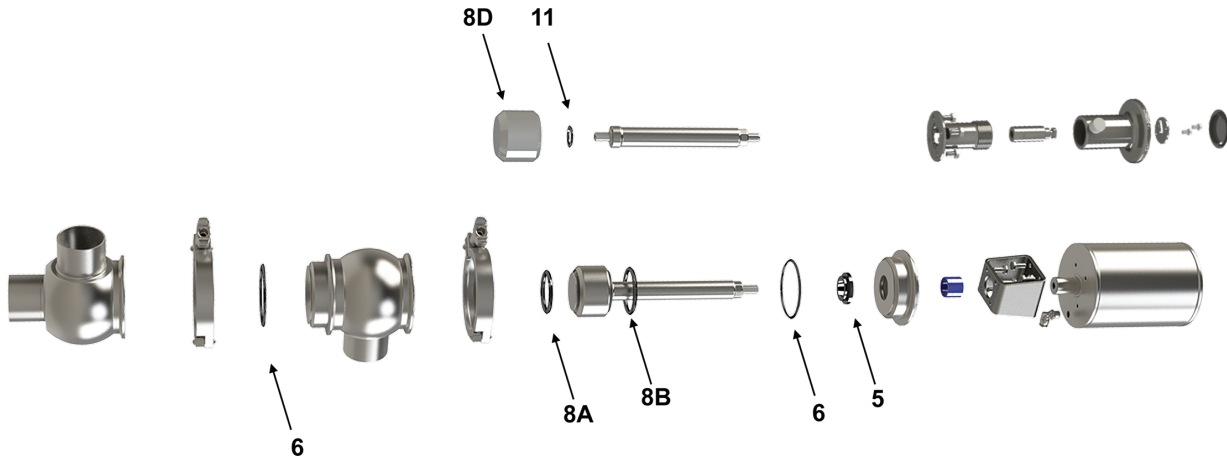
SSV-Series Shut-Off Single Seat



Valve Size	Valve Type	Stem Seat Material	Body Seal Material	Kit Part #	Kit Includes
1"	Shut-Off	FKM	FKM	SSV-RKS-10-V	Items 5, 6, 8A
1-1/2"	Shut-Off	FKM	FKM	SSV-RKS-15-V	Items 5, 6, 8A
2"	Shut-Off	FKM	FKM	SSV-RKS-20-V	Items 5, 6, 8A
2-1/2"	Shut-Off	FKM	FKM	SSV-RKS-25-V	Items 5, 6, 8A
3"	Shut-Off	FKM	FKM	SSV-RKS-30-V	Items 5, 6, 8A
4"	Shut-Off	FKM	FKM	SSV-RKS-40-V	Items 5, 6, 8A
1"	Shut-Off	EPDM	EDPM	SSV-RKS-10-E	Items 5, 6, 8A
1-1/2"	Shut-Off	EPDM	EDPM	SSV-RKS-15-E	Items 5, 6, 8A
2"	Shut-Off	EPDM	EDPM	SSV-RKS-20-E	Items 5, 6, 8A
2-1/2"	Shut-Off	EPDM	EDPM	SSV-RKS-25-E	Items 5, 6, 8A
3"	Shut-Off	EPDM	EDPM	SSV-RKS-30-E	Items 5, 6, 8A
4"	Shut-Off	EPDM	EDPM	SSV-RKS-40-E	Items 5, 6, 8A
1"	Shut-Off	PTFE	FKM	SSV-RKS-10-PV	Items 5, 6, 8C, 11
1-1/2"	Shut-Off	PTFE	FKM	SSV-RKS-15-PV	Items 5, 6, 8C, 11
2"	Shut-Off	PTFE	FKM	SSV-RKS-20-PV	Items 5, 6, 8C, 11
2-1/2"	Shut-Off	PTFE	FKM	SSV-RKS-25-PV	Items 5, 6, 8C, 11
3"	Shut-Off	PTFE	FKM	SSV-RKS-30-PV	Items 5, 6, 8C, 11
4"	Shut-Off	PTFE	FKM	SSV-RKS-40-PV	Items 5, 6, 8C, 11
1"	Shut-Off	PTFE	EPDM	SSV-RKS-10-PE	Items 5, 6, 8C, 11
1-1/2"	Shut-Off	PTFE	EPDM	SSV-RKS-15-PE	Items 5, 6, 8C, 11
2"	Shut-Off	PTFE	EPDM	SSV-RKS-20-PE	Items 5, 6, 8C, 11
2-1/2"	Shut-Off	PTFE	EPDM	SSV-RKS-25-PE	Items 5, 6, 8C, 11
3"	Shut-Off	PTFE	EPDM	SSV-RKS-30-PE	Items 5, 6, 8C, 11
4"	Shut-Off	PTFE	EPDM	SSV-RKS-40-PE	Items 5, 6, 8C, 11

SSV-Series Single Seat Valve - Repair Kits

SSV-Series Divert Single Seat



Valve Size	Valve Type	Stem Seat Material	Body Seal Material	Kit Part #	Kit Includes
1"	Divert	FKM	FKM	SSV-RKD-10-V	Items 5, 6, 8A, 8B
1-1/2"	Divert	FKM	FKM	SSV-RKD-15-V	Items 5, 6, 8A, 8B
2"	Divert	FKM	FKM	SSV-RKD-20-V	Items 5, 6, 8A, 8B
2-1/2"	Divert	FKM	FKM	SSV-RKD-25-V	Items 5, 6, 8A, 8B
3"	Divert	FKM	FKM	SSV-RKD-30-V	Items 5, 6, 8A, 8B
4"	Divert	FKM	FKM	SSV-RKD-40-V	Items 5, 6, 8A, 8B
1"	Divert	EPDM	EDPM	SSV-RKD-10-E	Items 5, 6, 8A, 8B
1-1/2"	Divert	EPDM	EDPM	SSV-RKD-15-E	Items 5, 6, 8A, 8B
2"	Divert	EPDM	EDPM	SSV-RKD-20-E	Items 5, 6, 8A, 8B
2-1/2"	Divert	EPDM	EDPM	SSV-RKD-25-E	Items 5, 6, 8A, 8B
3"	Divert	EPDM	EDPM	SSV-RKD-30-E	Items 5, 6, 8A, 8B
4"	Divert	EPDM	EDPM	SSV-RKD-40-E	Items 5, 6, 8A, 8B
1"	Divert	PTFE	FKM	SSV-RKD-10-PV	Items 5, 6, 8D, 11
1-1/2"	Divert	PTFE	FKM	SSV-RKD-15-PV	Items 5, 6, 8D, 11
2"	Divert	PTFE	FKM	SSV-RKD-20-PV	Items 5, 6, 8D, 11
2-1/2"	Divert	PTFE	FKM	SSV-RKD-25-PV	Items 5, 6, 8D, 11
3"	Divert	PTFE	FKM	SSV-RKD-30-PV	Items 5, 6, 8D, 11
4"	Divert	PTFE	FKM	SSV-RKD-40-PV	Items 5, 6, 8D, 11
1"	Divert	PTFE	EPDM	SSV-RKD-10-PE	Items 5, 6, 8D, 11
1-1/2"	Divert	PTFE	EPDM	SSV-RKD-15-PE	Items 5, 6, 8D, 11
2"	Divert	PTFE	EPDM	SSV-RKD-20-PE	Items 5, 6, 8D, 11
2-1/2"	Divert	PTFE	EPDM	SSV-RKD-25-PE	Items 5, 6, 8D, 11
3"	Divert	PTFE	EPDM	SSV-RKD-30-PE	Items 5, 6, 8D, 11
4"	Divert	PTFE	EPDM	SSV-RKD-40-PE	Items 5, 6, 8D, 11

Limited Warranty

DIXON VALVE & COUPLING COMPANY, LLC (herein called "Dixon") warrants the products described herein and manufactured by Dixon to be free from defects in material and workmanship for a period of one (1) year from date of shipment by Dixon under normal use and service. Its sole obligation under this warranty being limited to repairing or replacing, as hereinafter provided, at its option any product found to Dixon's satisfaction to be defective upon examination by it, provided that such product shall be returned for inspection to Dixon's factory within three (3) months after discovery of the defect. The repair or replacement of defective products will be made without charge for parts or labor. This warranty shall not apply to: (a) parts or products not manufactured by Dixon, the warranty of such items being limited to the actual warranty extended to Dixon by its supplier; (b) any product that has been subject to abuse, negligence, accident, or misapplication; (c) any product altered or repaired by others than Dixon; and (d) normal maintenance services and the replacement of service items (such as washers, gaskets, and lubricants) made in connection with such services. To the extent permitted by law, this limited warranty shall extend only to the buyer and any other person reasonably expected to use or consume the goods who is injured in person by any breach of the warranty. No action may be brought against Dixon for an alleged breach of warranty unless such action is instituted within one (1) year from the date the cause of action accrues. This limited warranty shall be construed and enforced to the fullest extent allowable by applicable law.

Other than the obligation of Dixon set forth herein, Dixon disclaims all warranties, express or implied, including but not limited to any implied warranties of merchantability or fitness for a particular purpose, and any other obligation or liability. The foregoing constitutes Dixon's sole obligation with respect to damages, whether direct, incidental, or consequential, resulting from the use or performance of the product.

Some products and sizes may be discontinued when stock is depleted or may require a minimum quantity for ordering.

Limits of Liability

This brochure is intended as a product offering. It is not intended to be a user or technical manual. Information in this brochure is subject to change without notice. All users and distributors of products sold through this brochure should contact Dixon with questions of use, compatibilities, coupling procedures, and life of product. Our full-time engineering and test staff are always available to recommend uses and to assist distributors and users with any questions.



Safety



Safety logos, which appear throughout our catalog, are used as a reminder that the user should carefully review for the appropriateness of the product for the media, application, and environment in which it will be used.

NOTE: Because of the health hazards associated with contamination and lead content in drinking water systems, Dixon couplings, unless otherwise specifically approved, are not recommended for potable water service and should not be used in applications where drinking water will contact the wetted surfaces of the coupling.

All Dixon products are shipped in cartons with the following warning:

"WARNING: This product contains lead, a chemical known to the State of California to cause cancer and birth defects or other reproductive harm."

Trademark

Delrin® and Zytel® are registered trademarks of E. I. du Pont Nemours and Company.

Kalrez® is a registered trademark of DuPont Dow Elastomers.

All other trademarks appearing in the Dixon illustrated product list are the property of their respective owners.

Copyright

Copyright © 2025 by Dixon Valve & Coupling Company, LLC

All rights reserved. This book is copyrighted material. Use, reproduction or copying of it by anyone other than Dixon® is strictly forbidden without its express written consent.

NOTE: Reasonable care has been taken in preparing this catalog. Dixon Valve & Coupling Company, LLC reserves the right to make corrections.

