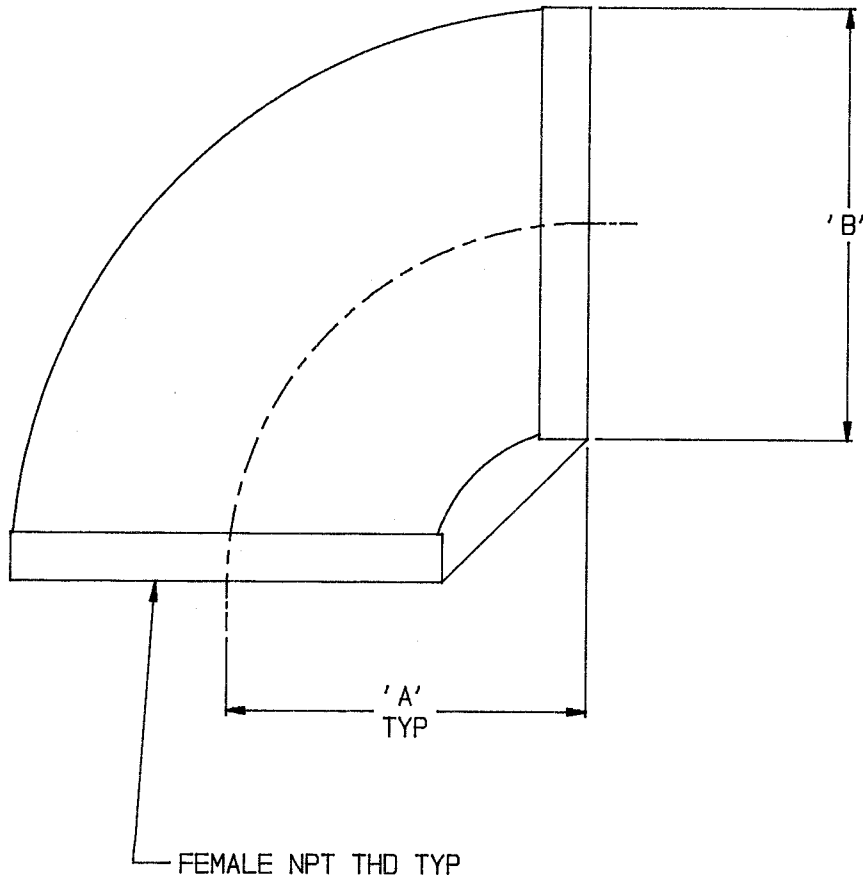


TEL90XXXSS

CUSTOMER DWG



3"	TEL90300SS	3"	4 1/8"	3" NPT
2"	TEL90200SS	2"	2 7/8"	2" NPT
1 1/2"	TEL90150SS	1 1/2"		1 1/2" NPT
1"	TEL90100SS	1"	1 3/4"	1" NPT
SIZE	PART NO	'A'	'B'	THD

CUSTOMER DWG

DIXON VALVE & COUPLING CO.
U. S. A.

TITLE
90° SHORT RADII ELBOW
FEMALE NPT x FEMALE NPT

DRAWN BY: 10/23/96
ANDREW JINKS

CHECKED BY:
10-24-96 *[Signature]*

APPROVAL: *[Signature]*
10/29/96

MAT'L
STN STL

TEL90XXXSS

AGREEMENT TO MAINTAIN CONFIDENTIALITY

This drawing is owned by Dixon Valve & Coupling Co. and shall be returned upon demand. It is loaned on condition that it shall not be copied or reproduced or submitted to others without the owners consent. In accepting it subject to this condition the recipient further agrees that this drawing or any design detail or concept disclosed herein shall not be used in any way detrimental to or in competition with the Owner. If the recipient does not agree to the terms of this agreement, they shall return this drawing immediately.



The Right Connection™