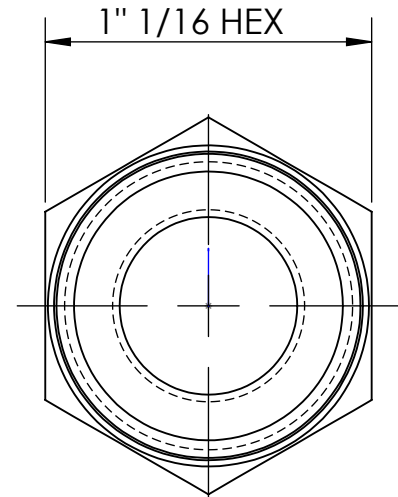
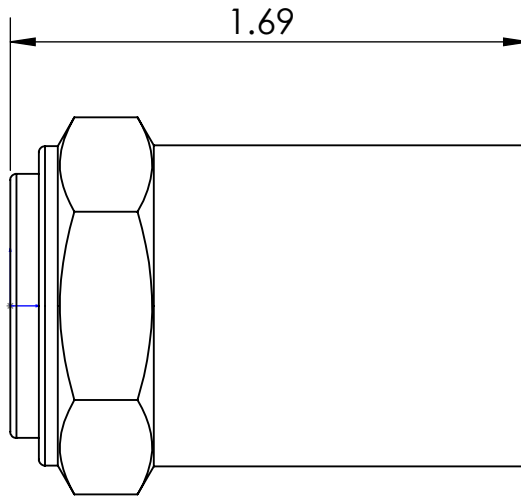
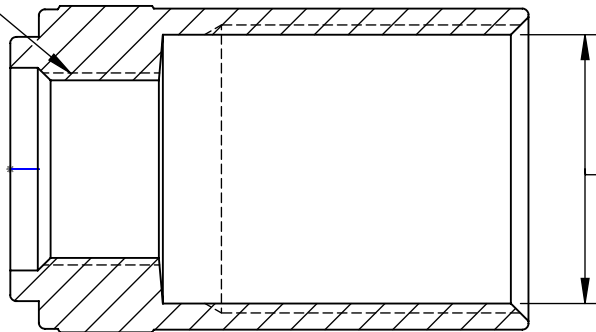


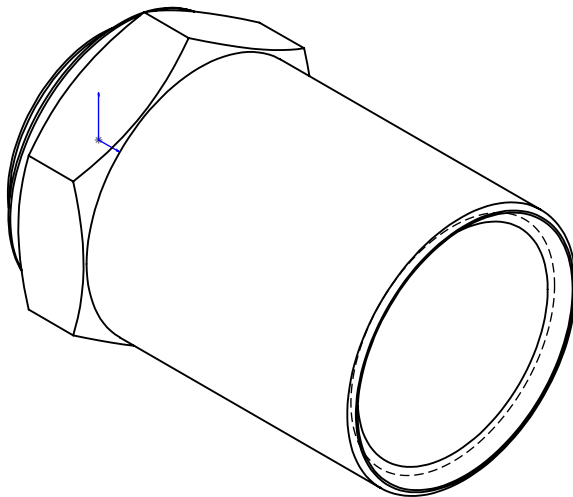
LINE DRAWING NOT FOR PRODUCTION PURPOSES




5/8 -18 UNF-2B
HOSE I.D. 1/2



Ø HOSE O.D. 7/8



THIS DRAWING CONTAINS INFORMATION DEEMED PROPRIETARY TO DIXON BRASS AND IS SO TO BE USED ONLY FOR THE PURPOSE FOR WHICH IT IS SUBMITTED, AND FURTHER, SHALL NOT BE COPIED IN WHOLE OR IN PART WITHOUT EXPRESS WRITTEN PERMISSION FIRST OBTAINED FROM DIXON BRASS.			
UNLESS OTHERWISE SPECIFIED:		 The Right Connection™	DRAWN P. MONAGHAN 4/20/15
DIMENSIONS ARE IN INCHES TOLERANCES: ANGLES: ±0°30' .X (±.015) .XX (±.010) .XXX (±.005)			APPROVED DATE
DIMENSIONS PER ANSI Y14.5		TITLE: REUSABLE FERRULE	ECO NO. DRAWING NOT REPRODUCED TO SCALE
		SIZE A	DWG. NO. 1800814F
			REV C