

## Butterfly Valves

### Clamp End and Weld End **Butterfly Valves**

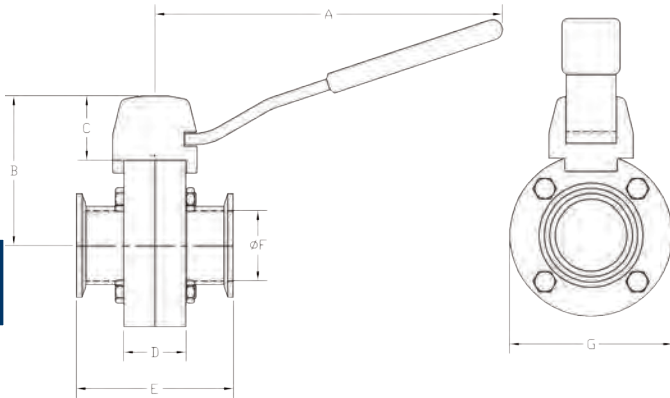
#### Features:

- 100% tested / 100% inspected
- all wetted surfaces are sanitary finished to  $< 32R_a$
- field serviceable (no special tools required)
- seat materials available include: silicone, EPDM, FKM
- PTFE bushings reduce friction and increase cycle life
- minimal line pressure: 0.4 inches Hg vacuum @ 68°F
- temperature range: **15°F to 200°F**
- custom handle covers available, call Dixon Sanitary at 800.789.1718 for details

#### Clamp End



Size	CF8M Stainless Steel with Silicone Seats		CF8M Stainless Steel with EPDM Seats		CF8M Stainless Steel with FKM Seats	
	Part #	Price/E	Part #	Price/E	Part #	Price/E
1"	<b>B5104S100CC-D</b>	<b>\$242.30</b>	<b>B5104E100CC-D</b>	<b>\$242.30</b>	<b>B5104V100CC-D</b>	<b>\$309.55</b>
1½"	<b>B5104S150CC-D</b>	<b>264.70</b>	<b>B5104E150CC-D</b>	<b>264.70</b>	<b>B5104V150CC-D</b>	<b>362.20</b>
2"	<b>B5104S200CC-D</b>	<b>285.40</b>	<b>B5104E200CC-D</b>	<b>285.40</b>	<b>B5104V200CC-D</b>	<b>387.60</b>
2½"	<b>B5104S250CC-D</b>	<b>357.95</b>	<b>B5104E250CC-D</b>	<b>357.95</b>	<b>B5104V250CC-D</b>	<b>469.60</b>
3"	<b>B5104S300CC-D</b>	<b>426.00</b>	<b>B5104E300CC-D</b>	<b>426.00</b>	<b>B5104V300CC-D</b>	<b>554.45</b>
4"	<b>B5104S400CC-D</b>	<b>564.75</b>	<b>B5104E400CC-D</b>	<b>564.75</b>	<b>B5104V400CC-D</b>	<b>725.75</b>



Size	Dimensions						
	A	B	C	D	E	F	G
1"	6.6"	2.9"	1.2"	1.2"	3.0"	0.9"	3.1"
1½"	6.6"	2.9"	1.2"	1.2"	3.0"	1.4"	3.1"
2"	6.6"	3.2"	1.2"	1.2"	3.0"	1.9"	3.7"
2½"	6.6"	3.4"	1.2"	1.2"	3.0"	2.4"	4.2"
3"	6.6"	3.7"	1.2"	1.2"	3.0"	2.9"	4.8"
4"	6.6"	4.7"	1.7"	1.5"	3.5"	3.8"	5.9"