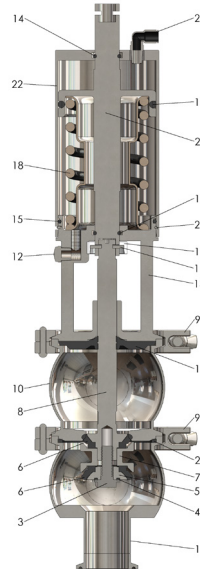




Dixon Sanitary SV-Series Single Seat Hygienic Valves

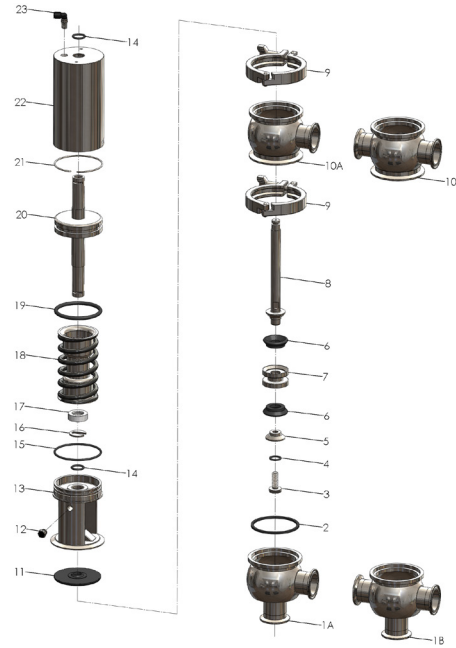
SV-Series 1.5" - 4" Double Body Valve - Normally Open



Bill of Materials

Item No.	Qty	Description	Part #					
			1.5"	2"	2.5"	3"	4"	
1A	1	Lower Body "L"	SV-LBLC150	SV-LBLC200	SV-LBLC250	SV-LBLC300	SV-LBLC400	
1B	1	Lower Body "T"	SV-LBTC150	SV-LBTC200	SV-LBTC250	SV-LBTC300	SV-LBTC400	
2	1	Body Seal	SV-BSB150200		SV-BSB250300			
2	1	Body Seal EPDM	SV-BSE150200		SV-BSE250300			
2	1	Body Seal FKM	SV-BSV150200		SV-BSV250300			
3	1	Seat Bolt	SV-SBS					SV-SBL
4	1	Seat Bolt O-Ring	SV-OEB150300					
5	1	Seat Washer	SV-SW150	SV-SW200	SV-SW250	SV-SW300	SV-SW400	
6	2	Seat Seal	SV-KE150	SV-KE200	SV-KE250	SV-KE300	SV-KE400	
6	2	Seat Seal EPDM	SV-KV150	SV-KV200	SV-KV250	SV-KV300	SV-KV400	
6	2	Seat Seal FKM	SV-KB150	SV-KB200	SV-KB250	SV-KB300	N/A	
6	2	Seat Seal PTFE	SV-KP150	SV-KP200	SV-KP250	SV-KP300	SV-KP400	
7	1	Stem Gland	SV-SG150	SV-SG200	SV-SG250	SV-SG300	SV-SG400	
8	1	Long Pneumatic Stem	SV-SLPR150	SV-SLPR200	SV-SLPR250	SV-SLPR300	SV-SLPR400	
9	2	Clamp	13MHHM300SN			13MHHM400SN		
10A	1	Upper Body "L"	SV-UBLC150	SV-UBLC200	SV-UBLC250	SV-UBLC300	SV-UBLC400	
10B	1	Upper Body "T"	SV-UBTC150	SV-UBTC200	SV-UBTC250	SV-UBTC300	SV-UBTC400	
11	1	Lip Seal	SV-LSB150200		SV-LSB250300			
11	1	Lip Seal EPDM	SV-LSE150200		SV-LSE250300			
11	1	Lip Seal FKM	SV-LSV150200		SV-LSV250300			
12	1	Air Filter	SV-AF100400					
13	1	Actuator Bracket	SV-AB150200			SV-AB250300		
14	2	Stem O-Ring	SV-OTE150200			SV-OTE250300		
15	1	Actuator Cylinder O-Ring	SV-OCE150200			SV-OCE250300		
16	1	Actuator U Clip	SV-AU150200			SV-AU250300		
17	1	Actuator Ring	SV-AR150200			SV-AR250300		
18	1	Actuator Spring	SV-AS150200			SV-AS250300		
19	1	Piston O-Ring	SV-OPE150200			SV-OPE250300		
20	1	Actuator Piston	SV-AP150200			SV-AP250300		
21	1	Actuator Wire	SV-AW150200			SV-AW250300		
22	1	Actuator Cylinder	SV-AC150200			SV-AC250300		
23	1	Air Fitting	31095611					

SV-Series 1.5" - 4" Double Body Valve - Normally Open



Bill of Materials

Item No.	Qty	Description	Part #					
			1.5"	2"	2.5"	3"	4"	
1A	1	Lower Body "L"	SV-LBLC150	SV-LBLC200	SV-LBLC250	SV-LBLC300	SV-LBLC400	
1B	1	Lower Body "T"	SV-LBTC150	SV-LBTC200	SV-LBTC250	SV-LBTC300	SV-LBTC400	
2	1	Body Seal	SV-BSB150200			SV-BSB250300		
2	1	Body Seal EPDM	SV-BSE150200			SV-BSE250300		
2	1	Body Seal FKM	SV-BSV150200			SV-BSV250300		
3	1	Seat Bolt	SV-SBS					SV-SBL
4	1	Seat Bolt O-Ring	SV-OEB150300					
5	1	Seat Washer	SV-SW150	SV-SW200	SV-SW250	SV-SW300	SV-SW400	
6	2	Seat Seal	SV-KE150	SV-KE200	SV-KE250	SV-KE300	SV-KE400	
6	2	Seat Seal EPDM	SV-KV150	SV-KV200	SV-KV250	SV-KV300	SV-KV400	
6	2	Seat Seal FKM	SV-KB150	SV-KB200	SV-KB250	SV-KB300	N/A	
6	2	Seat Seal PTFE	SV-KP150	SV-KP200	SV-KP250	SV-KP300	SV-KP400	
7	1	Stem Gland	SV-SG150	SV-SG200	SV-SG250	SV-SG300	SV-SG400	
8	1	Long Pneumatic Stem	SV-SLPR150	SV-SLPR200	SV-SLPR250	SV-SLPR300	SV-SLPR400	
9	2	Clamp	13MHHM300SN			13MHHM400SN		
10A	1	Upper Body "L"	SV-UBLC150	SV-UBLC200	SV-UBLC250	SV-UBLC300	SV-UBLC400	
10B	1	Upper Body "T"	SV-UBTC150	SV-UBTC200	SV-UBTC250	SV-UBTC300	SV-UBTC400	
11	1	Lip Seal	SV-LSB150200			SV-LSB250300		
11	1	Lip Seal EPDM	SV-LSE150200			SV-LSE250300		
11	1	Lip Seal FKM	SV-LSV150200			SV-LSV250300		
12	1	Air Filter	SV-AF100400					
13	1	Actuator Bracket	SV-AB150200			SV-AB250300		
14	2	Stem O-Ring	SV-OTE150200			SV-OTE250300		
15	1	Actuator Cylinder O-Ring	SV-OCE150200			SV-OCE250300		
16	1	Actuator U Clip	SV-AU150200			SV-AU250300		
17	1	Actuator Ring	SV-AR150200			SV-AR250300		
18	1	Actuator Spring	SV-AS150200			SV-AS250300		
19	1	Piston O-Ring	SV-OPE150200			SV-OPE250300		
20	1	Actuator Piston	SV-AP150200			SV-AP250300		
21	1	Actuator Wire	SV-AW150200			SV-AW250300		
22	1	Actuator Cylinder	SV-AC150200			SV-AC250300		
23	1	Air Fitting	31095611					

Dixon Sanitary

N25 W23040 Paul Road • Pewaukee, WI 53072
 ph: 800.789.1718 • 262.513.6900 • fx: 800.789.4046 • 262.513.4904
dixonvalve.com